



NV 20031

Cabinet "U" handles

Hygienic Design

SPECIFICATION

Stainless Steel

- AISI 316 L **A4**
- matt (Ra < 0.8 µm) **MT**
- polished (Ra < 0.8 µm) **PL**

Sealing ring

Hydrogenated acrylonitrile butadiene rubber (H-NBR) **H**
temperature resistant -25 °C to + 150 °C

Ethylene propylene diene rubber (EPDM) **E**
temperature resistant -40 °C to + 120 °C

- blue
- Hardness 85±5 Shore A
- FDA compliant

INFORMATION

GN 429 cabinet „U“ handles are intended for use in hygiene areas. The sealed mounting surfaces enable fastening without dead spaces. The high quality finish prevents adherence of dirt and facilitates cleaning.

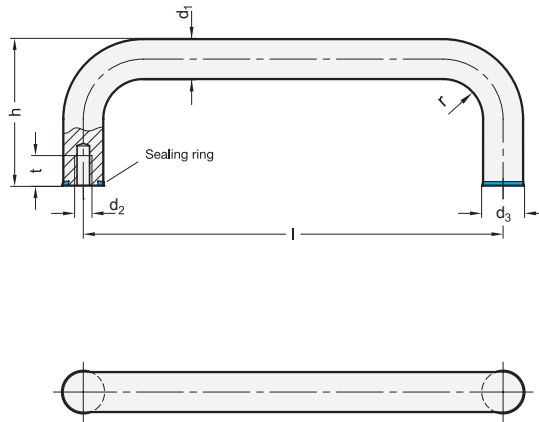
The manufacturing process (bending) allows the production of **special lengths** in relatively small quantities.

In contrast to the MT finish, the PL finish is also certified according to the DGVU Test.



TECHNICAL INFORMATION

- Stainless Steel characteristics (see page A26)



GN 429

STAINLESS STEEL

Description	d1	l1 ±0.5	d2	d3	h	r	t min.	⚖
GN 429-A4-12-125-MT-H	12	125	M 5	12.8	51	14	12	170
GN 429-A4-12-125-PL-H	12	125	M 5	12.8	51	14	12	170
GN 429-A4-12-160-MT-H	12	160	M 5	12.8	51	14	12	202
GN 429-A4-12-160-PL-H	12	160	M 5	12.8	51	14	12	202
GN 429-A4-16-160-MT-H	16	160	M 6	16.8	59	18	12	400
GN 429-A4-16-160-PL-H	16	160	M 6	16.8	59	18	12	400
GN 429-A4-16-200-MT-H	16	200	M 6	16.8	59	18	12	436
GN 429-A4-16-200-PL-H	16	200	M 6	16.8	59	18	12	436
GN 429-A4-12-125-MT-E	12	125	M 5	12.8	51	14	12	170
GN 429-A4-12-125-PL-E	12	125	M 5	12.8	51	14	12	170
GN 429-A4-12-160-MT-E	12	160	M 5	12.8	51	14	12	202
GN 429-A4-12-160-PL-E	12	160	M 5	12.8	51	14	12	202
GN 429-A4-16-160-MT-E	16	160	M 6	16.8	59	18	12	400
GN 429-A4-16-160-PL-E	16	160	M 6	16.8	59	18	12	400
GN 429-A4-16-200-MT-E	16	200	M 6	16.8	59	18	12	436
GN 429-A4-16-200-PL-E	16	200	M 6	16.8	59	18	12	436