

MATERIAL

Polyamide based (PA) technopolymer, RAL 1021 yellow colour, glossy finish.

WINDOW

Transparent polyamide based (PA-T/AR) technopolymer.

PACKING RING

NBR synthetic rubber.

STANDARD EXECUTIONS

- **HGFT-EX**: with matte anodised aluminium star-shaped contrast screen with red central level point.
- **HGFT/SL-EX**: without contrast screen.

ATEX DIRECTIVE COMPLIANCE

HGFT-EX level indicators series comply with the Essential Health and Safety Requirements of the European ATEX Directive 2014/34/ EU (explosive atmospheres) for Group II devices, category 2GD.

II 2GD Ex h X: is the level indicators identification marked on the HGFT-EX product according to ATEX

II: group of devices / components suitable for use in surface industry except for mines.

2: ATEX category corresponding to "high" protection level

G: explosive atmosphere of flammable gases or vapors.

D: explosive atmosphere of combustible dusts.

Ex: device / component protected against the ignition of explosive atmospheres.

h: protection mode for non-electric devices / components.

X: special conditions and limitation of use (see Instructions for use).

Ambient and/or fluid temperature: -20 ÷ +80 °C

The documentation concerning the conformity of this product to the European Directives above mentioned and the instructions for use are integral parts of the article itself.

NOTE

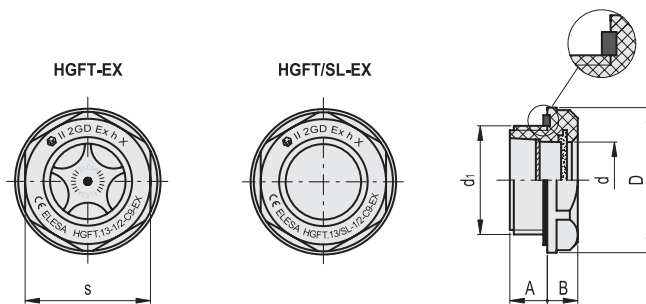
For use with other fluids with special additives, please contact ELESA Sales Department.

ACCESSORIES ON REQUEST

Brass nut GH. (see page 1574) for fitting to reservoirs with wall thickness smaller than 5 mm.



ELESA Original design



HGFT-EX

Code	Description	d1	A	B	D	d	s	Tightening torque [Nm]	⚖️
14581-R-EX	HGFT.10-3/8-C4-EX	G 3/8	8	7	24	11	22	4÷8	4
14591-R-EX	HGFT.13-1/2-C4-EX	G 1/2	10	8.5	28	14.5	24	6÷8	6
14601-R-EX	HGFT.16-3/4-C4-EX	G 3/4	9.5	8.5	35	18	32	8÷10	10

HGFT/SL-EX

Code	Description	d1	A	B	D	d	s	Tightening torque [Nm]	⚖️
14586-R-EX	HGFT.10/SL-3/8-C4-EX	G 3/8	8	7	24	11	22	4÷8	3
14596-R-EX	HGFT.13/SL-1/2-C4-EX	G 1/2	10	8.5	28	14.5	24	6÷8	5
14606-R-EX	HGFT.16/SL-3/4-C4-EX	G 3/4	9.5	8.5	35	18	32	8÷10	9

