

- 1
- 2
- 3
- 4
- 5
- 6
- 7
- 8
- 9
- 10
- 11
- 12
- 13
- 14
- 15
- 16
- 17
- 18

MATERIAL

Glass-fibre reinforced polyamide based (PA) technopolymer, black colour, matte finish.

STANDARD EXECUTIONS

Zinc-plated steel hub, H7 reamed or threaded pass-through hole.

ACCESSORIES ON REQUEST

Polypropylene based (PP) technopolymer centre closing cap, in the standard colours, matte finish (see table).

SPECIAL EXECUTION ON REQUEST

Handwheels with stainless steel hub.

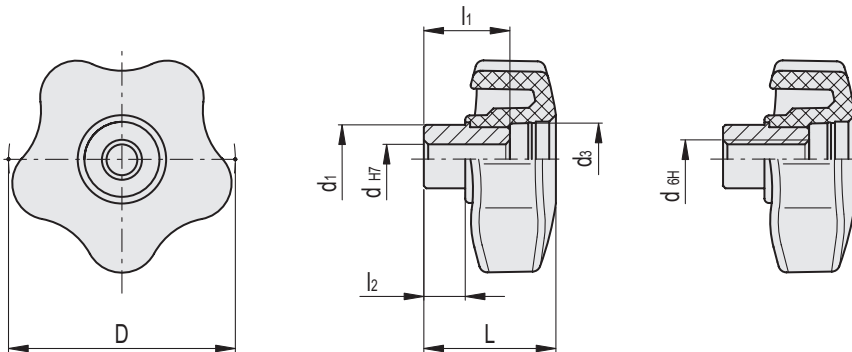


	C9	C2	C3	C4	C5	C6	C17	
Cap for	Code							Description
VCHT.32	6900	6903	6904	6905	6906	6901	6907	CA.VCT.32-*
VCHT.40	6910	6913	6914	6915	6916	6911	6917	CA.VCT.40-*
VCHT.50	6920	6923	6924	6925	6926	6921	6927	CA.VCT.50-*
VCHT.63-74	6930	6933	6934	6935	6936	6931	6937	CA.VCT.63-74-*

* Complete with colour index (C9, ..., C17).

C2	C3	C4	C5	C6
RAL2004	RAL7035	RAL1021	RAL5024	RAL3000

ELESA Original design



Code	Description	D	d6H	dH7	L	d1	d3	l1	l2	$\frac{d}{D}$
168801	VCHT.32 FP-AZ-5	32	-	5	22.5	12	10	16.5	8.5	17
168802	VCHT.32 FP-AZ-6	32	-	6	22.5	12	10	16.5	8.5	16
168806	VCHT.32 FP-AZ-M5	32	M5	-	22.5	12	10	16.5	8.5	17
168807	VCHT.32 FP-AZ-M6	32	M6	-	22.5	12	10	16.5	8.5	16
168821	VCHT.40 FP-AZ-6	40	-	6	27	14	12	20	10	30
168822	VCHT.40 FP-AZ-8	40	-	8	27	14	12	20	10	29
168826	VCHT.40 FP-AZ-M6	40	M6	-	27	14	12	20	10	30
168827	VCHT.40 FP-AZ-M8	40	M8	-	27	14	12	20	10	29
168841	VCHT.50 FP-AZ-8	50	-	8	30	18	15	20	10	46
168842	VCHT.50 FP-AZ-10	50	-	10	30	18	15	20	10	45
168846	VCHT.50 FP-AZ-M8	50	M8	-	30	18	15	20	10	46
168847	VCHT.50 FP-AZ-M10	50	M10	-	30	18	15	20	10	45
168861	VCHT.63 FP-AZ-10	63	-	10	35.5	20	19	29	14	70
168862	VCHT.63 FP-AZ-12	63	-	12	35.5	20	19	29	14	68
168866	VCHT.63 FP-AZ-M10	63	M10	-	35.5	20	19	29	14	70
168867	VCHT.63 FP-AZ-M12	63	M12	-	35.5	20	19	29	14	68
168881	VCHT.74 FP-AZ-12	74	-	12	39.5	25	17	29	15	95
168882	VCHT.74 FP-AZ-16	74	-	16	39.5	25	17	29	15	91
168886	VCHT.74 FP-AZ-M12	74	M12	-	39.5	25	17	29	15	95
168887	VCHT.74 FP-AZ-M16	74	M16	-	39.5	25	17	29	15	91