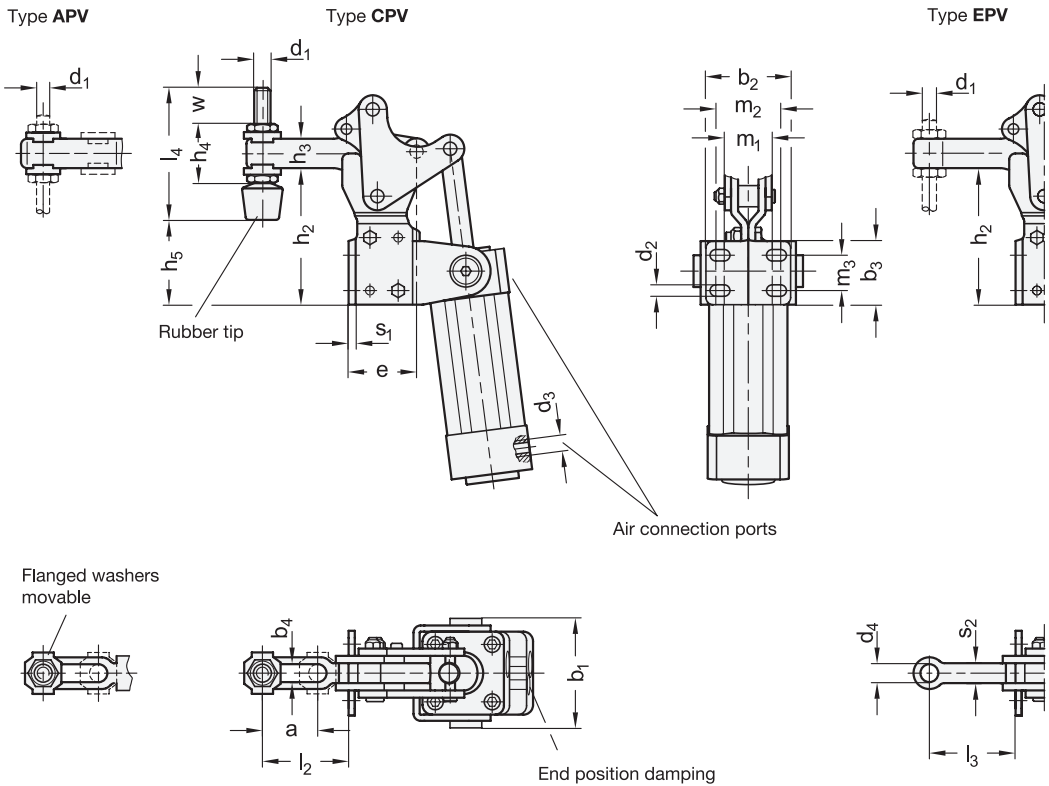


- 2 Type**
  - APV** Clamping arm with slotted hole, with two flanged washers
  - CPV** Clamping arm with slotted hole, with two flanged washers, GN 708.1 Spindle assembly
  - EPV** Clamping arm with bushing
- 3 Coding**
  - M** Magnetic piston

**1**

Size	Type APV / CPV	Type EPV	F <sub>H</sub> in N Holding capacity	F <sub>S</sub> in N Clamping force at 6 bar ≈	a ≈	b <sub>1</sub> ≈	b <sub>2</sub>	b <sub>3</sub>	b <sub>4</sub>	d <sub>1</sub>	d <sub>2</sub>	d <sub>3</sub>	d <sub>4</sub>	Inside Ø Connection tube	e ≈	h <sub>1</sub> ≈
220	-	-	2200	870	35	62	48	36	6,3	M 6	6,5	G 1/8	-	4	38,3	221
440	-	-	4400	1220	35	74	65	54	10,3	M 10	8,5	G 1/4	-	6	54,1	287
-	850	8500	2280	-	87,5	75	75	-	-	M 12	10,5	G 1/4	12,5	8	70,7	355

Size	Type APV / CPV	Type EPV	h <sub>2</sub>	h <sub>3</sub>	h <sub>4</sub> ≈	h <sub>5</sub>	l <sub>1</sub> ≈	l <sub>2</sub> ≈	l <sub>3</sub> ≈	l <sub>4</sub>	m <sub>1</sub>	m <sub>2</sub>	m <sub>3</sub>	r	s <sub>1</sub>	s <sub>2</sub>	w Adjustable range
220	-	-	77	16,6	26	60,3	161	51	-	65	30	34	20	96	3,5	-	27
440	-	-	106	24	38	78	195	60	-	77	42,5	46,5	30	125	5	-	18
-	850	140	31	-	-	229	-	68	-	52	56	55	151	6	12	-	-



## Specification

- Base  
Steel, phosphate-treated
- Bearing pins / bushings  
Steel  
hardened and ground
- Double-action air cylinder  
with adjustable end position damping  
max. pressure 6 bar
- All moving parts  
lubricated with special grease
- Spindle assembly GN 708.1, type A
  - Steel, zinc plated
  - Rubber tip 85 Shore A

• RoHS

## Accessory

- Sensor GN 3380 → Page 66

## Information

Toggle clamps „Longlife“ GN 962 are equipped with a reinforced body and hardened and ground bearing pins / bushings. This makes them suitable for applications in which substantial forces arise and a long service life is required.

To ensure an extended life of the mechanical parts as well as the pneumatic cylinder, the operating pressure should not exceed 6 bar. In addition, a compressed-air control unit should be mounted in the air intake line.

Toggle clamps GN 962 are equipped with a magnetic piston as standard. This makes end position detection possible in connection with sensors GN 3380.

see also...

- [More information for toggle clamps \(pneumatic\)](#) → Page 12

How to order

GN962-440-APV-M

1	Size
2	Type
3	Coding