

- 1
- 2
- 3
- 4
- 5
- 6
- 7
- 8
- 9
- 10
- 11
- 12
- 13
- 14
- 15
- RH
- 

**BODY**

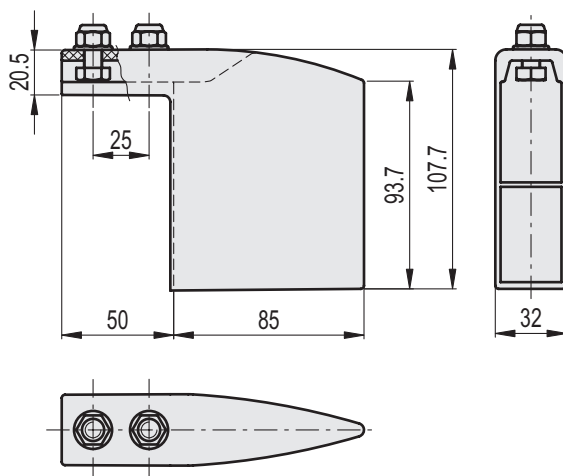
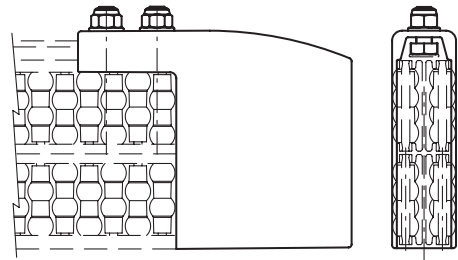
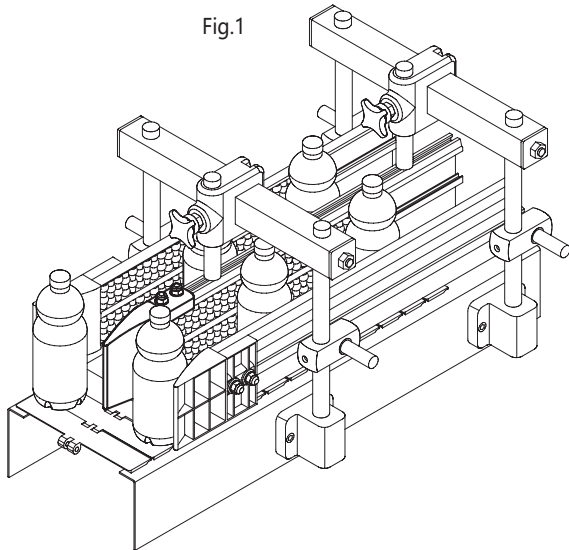
Polyethylene based (PE) technopolymer, grey colour.

**SCREWS AND NUTS WITH THREAD LOCK**

AISI 304 stainless steel

**FEATURES AND APPLICATIONS**

PGC-4 separation block is used at the ends of GCA-4 central guides (Fig.1).



Code	Description	⚖️
419151	PGC-4-108-135	130