

- 1
- 2
- 3
- 4
- 5
- 6
- 7
- 8
- 9

MATERIAL

Glass-fibre reinforced polyamide based (PA) technopolymer, black colour, matte finish.

STANDARD EXECUTIONS

AISI 304 stainless steel washers.

- **MPG-2T**: housings for standard trapezoidal guides with housing for clamping nut (M10).
- **MPG-2T-P**: housings for standard trapezoidal guides, with AISI 304 stainless steel pin and clamping nut (M10).
- **MPG-2C**: housings for round guides with housing for clamping nut (M10).
- **MPG-2C-P**: housings for round guides, with AISI 304 stainless steel pin and clamping nut (M10).
- **MPG-2R**: housings for rectangular guides with housing for clamping nut (M10).
- **MPG-2R-P**: housings for rectangular guides, with AISI 304 stainless steel pin and clamping nut (M10).
- **MPG-2S**: housings for smooth side guides with AISI 304 stainless steel clamping nut.
- **MPG-2S-P**: housings for smooth side guides with AISI 304 stainless steel pin and clamping nut.

FEATURES AND APPLICATIONS

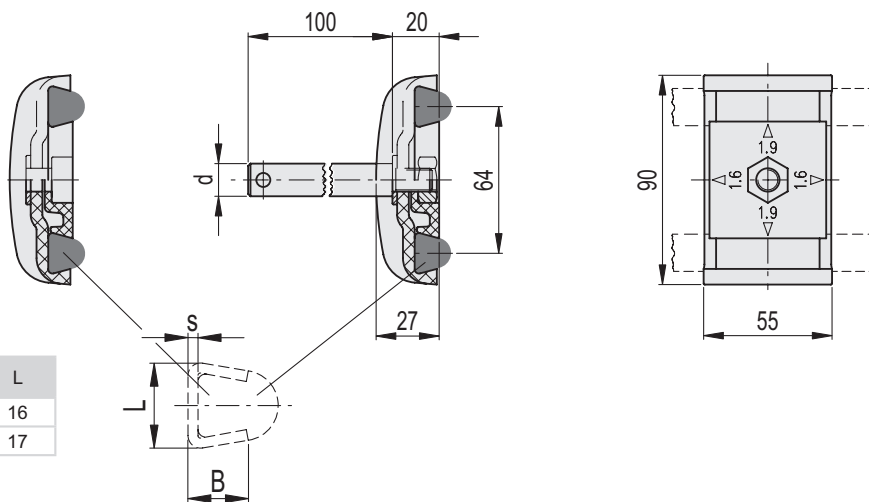
MPG-2T and MPG-2T-P executions can be used with the side guides having an AISI 304 stainless steel bracket of thickness 1.5 or 2 mm, simply rotating the rear plate by 90°.



- 10
- 11
- 12
- 13
- 14
- 15
- RH

MPG-2T

MPG-2T-P



s	B	L
1.5	17.5	16
2	18	17

**MPG-2T
MPG-2T-P**

Code	Description	d	△
419611	MPG-2T	-	67
419684	MPG-2T-P12	12	204
419685	MPG-2T-P14	14	203
419686	MPG-2T-P16	16	202

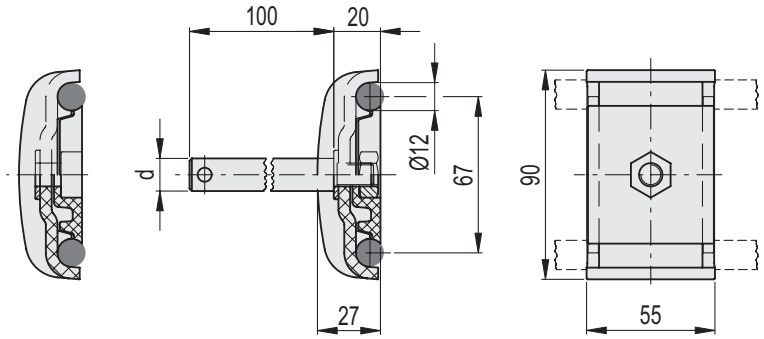
MPG-2C
MPG-2C-P

INOX STAINLESS STEEL

Code	Description	d	⚖️
419609	MPG-2C	-	68
419681	MPG-2C-P12	12	205
419682	MPG-2C-P14	14	204
419683	MPG-2C-P16	16	203

MPG-2C

MPG-2C-P



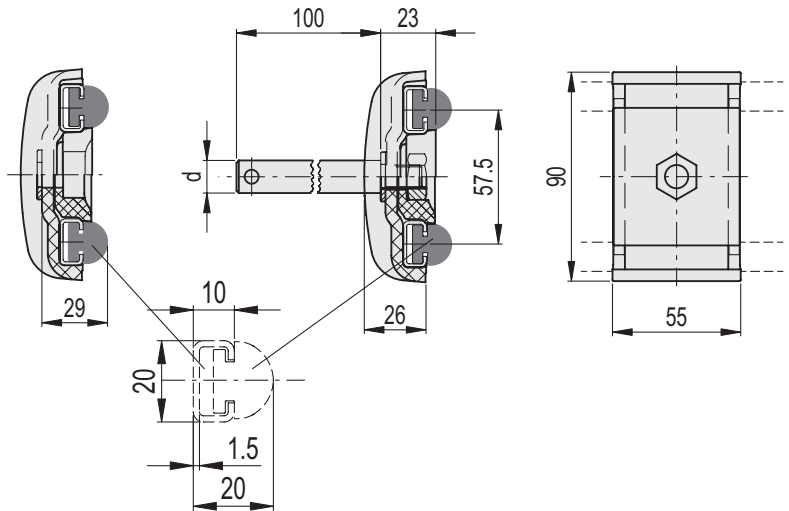
MPG-2R
MPG-2R-P

INOX STAINLESS STEEL

Code	Description	d	⚖️
419610	MPG-2R	-	72
419694	MPG-2R-P12	12	212
419695	MPG-2R-P14	14	210
419696	MPG-2R-P16	16	208

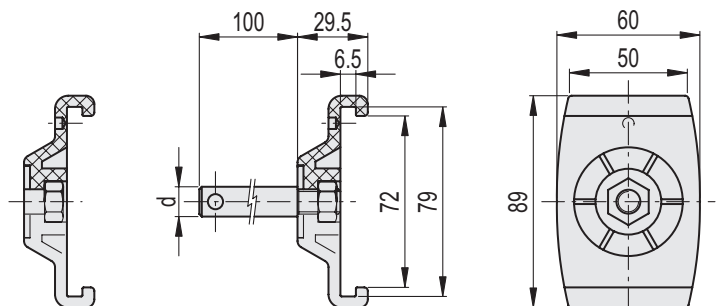
MPG-2R

MPG-2R-P



MPG-2S

MPG-2S-P



MPG-2S
MPG-2S-P

INOX STAINLESS STEEL

Code	Description	d	⚖️
419608	MPG-2S	-	90
419678	MPG-2S-P12	12	180
419679	MPG-2S-P14	14	210
419680	MPG-2S-P16	16	240

- 1
- 2
- 3
- 4
- 5
- 6
- 7
- 8
- 9
- 10
- 11
- 12
- 13
- 14
- 15

Leveling elements and supports