

TGL | Closing cap for GLA-1 side guides

Technopolymer, stainless steel

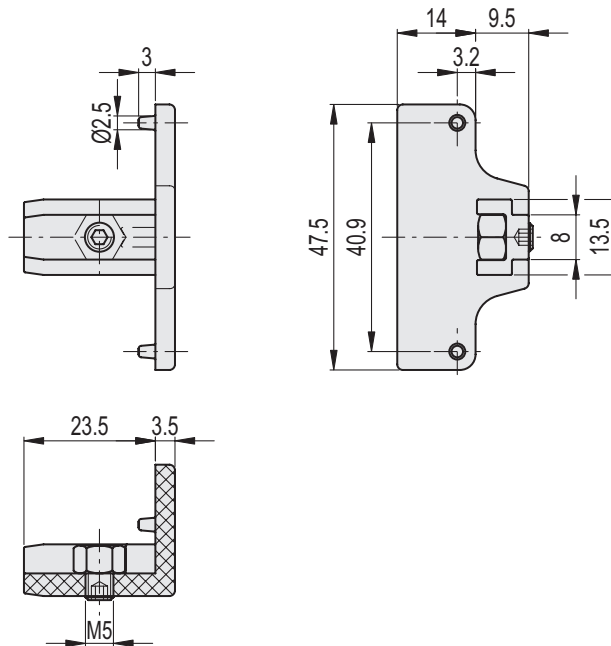
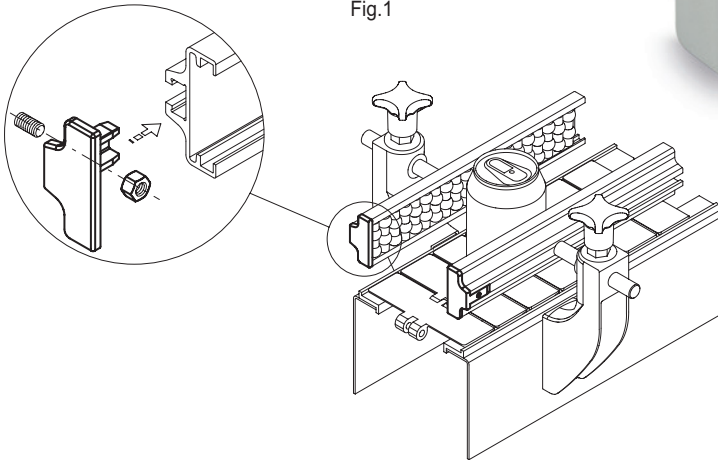
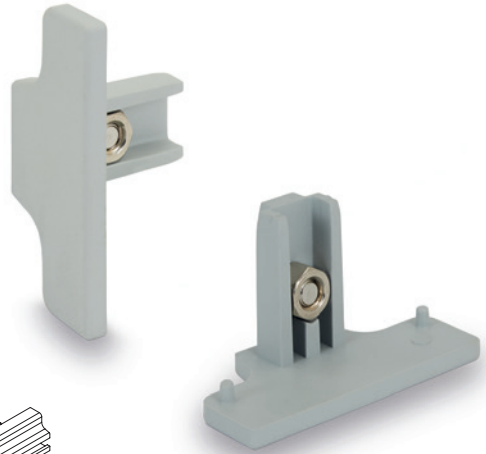


- 1
- 2
- 3
- 4
- 5
- 6
- 7
- 8
- 9
- 10
- 11
- 12
- 13
- 14
- 15
- RH
-

BODY
Polyamide-based (PA) technopolymer, grey colour.

SCREW AND NUT
AISI 304 stainless steel

FEATURES AND APPLICATIONS
TGL closing cap is used at the ends of GLA-1 side guides (Fig.1).



Code	Description	
419143	TGL-24-48	10

Levelling elements and supports