

M.1053-SST | Offset tubular handles

Technopolymer and stainless steel



- 1
- 2
- 3
- 4
- 5
- 6
- 7
- 8
- 9
- 10
- 11
- 12
- 13
- 14
- 15
- RH
-

HANDLE SHANKS

Glass-fibre reinforced polyamide based (PA) technopolymer, black colour, matte finish.

To prevent tube rotation, screw up to the stop the self-tapping screw $\varnothing 3,9 \times 6,5$ arranged inside the handle shank.

CLOSING CAPS

Polyamide based (PA) technopolymer, black colour, matte finish.

Included in the supply, push-fit assembly (Fig.1), removable by a screwdriver.

Available also as accessories sold separately (see table ECS.).

Code	Description
29882-C9	ECS.T2-C9

TUBE

AISI 304 stainless steel.

MOUNTING

Pass-through hole for front or rear mounting by means of cylindrical-head screws with hexagon socket, hexagonal-head screws or standard nuts.

TECHNICAL DATA

Tensile stress: F values reported in the table are the result of breaking tests carried out with the appropriate dynamometric equipment under the test conditions shown in the figure with ambient temperature.

SPECIAL EXECUTIONS ON REQUEST

- Different lengths.
- Closing caps in different colours.



ELESA Original design

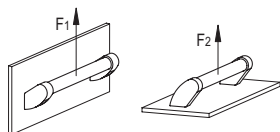
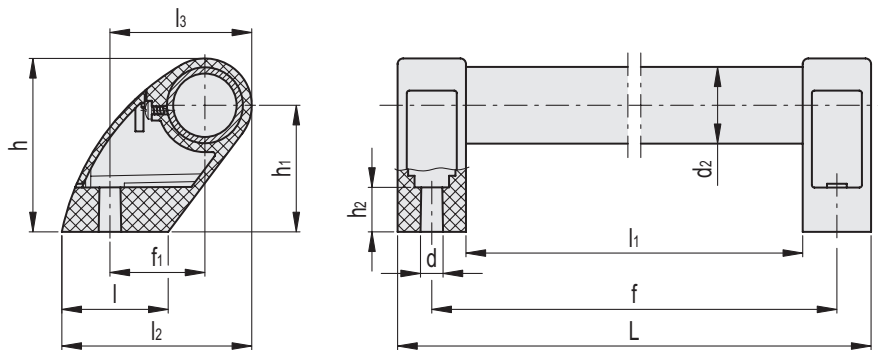
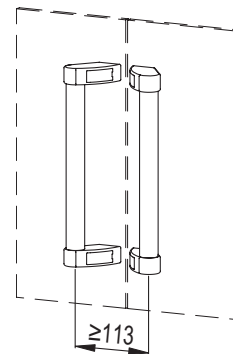
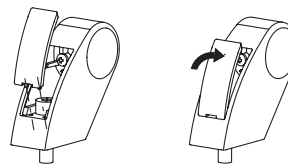


Fig.1



Code	Description	d2	fz1	f1	L	d	h	h1	h2	l	l1	l2	l3	F1 [N]*	F1 [N]#	F2 [N]*	F2 [N]#	Δ
36807	M.1053/30-300-SST	30	300	37.5	327	8.5	68.5	50	17.5	42	273	75	56	2600	4700	3500	5600	231
36817	M.1053/30-350-SST	30	350	37.5	377	8.5	68.5	50	17.5	42	323	75	56	2500	4600	3300	5200	249
36827	M.1053/30-400-SST	30	400	37.5	427	8.5	68.5	50	17.5	42	373	75	56	2100	3900	3000	4500	266
36837	M.1053/30-500-SST	30	500	37.5	527	8.5	68.5	50	17.5	42	473	75	56	1950	3000	2850	3600	301
36847	M.1053/30-600-SST	30	600	37.5	627	8.5	68.5	50	17.5	42	573	75	56	1650	2850	2100	3600	336
36857	M.1053/30-700-SST	30	700	37.5	727	8.5	68.5	50	17.5	42	673	75	56	1500	2400	1800	2800	371

* Maximum working load # Load at breakage.