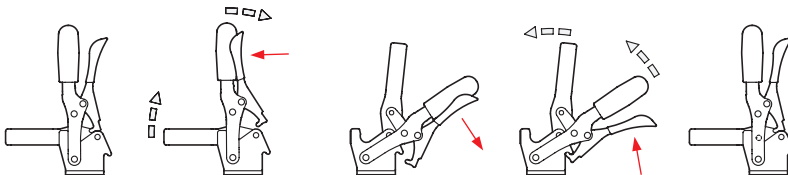


ROSTFREI  
Inox  
Stainless  
Steel

**2 Type**

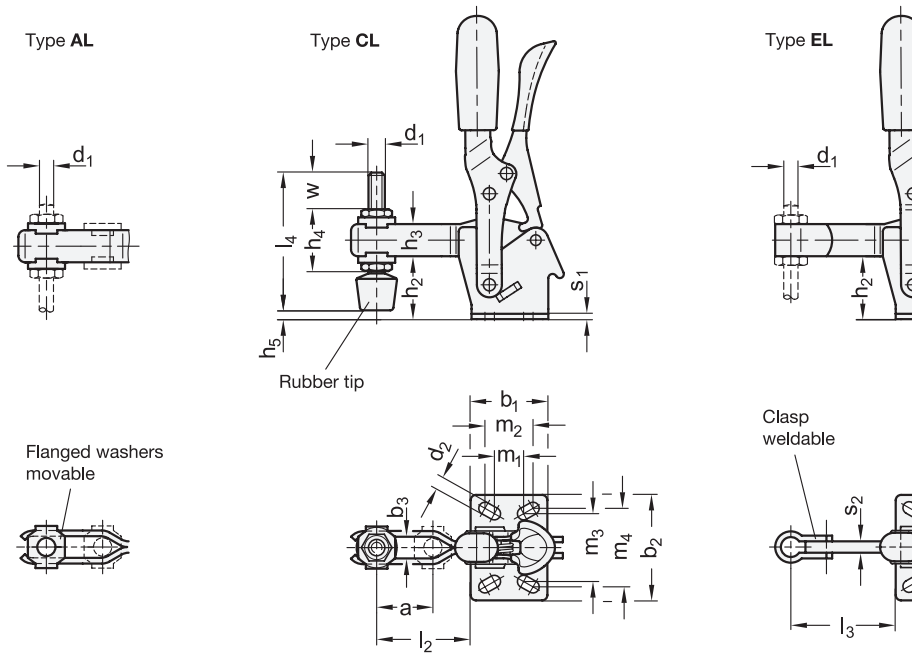
- AL** U-bar version, with two flanged washers
- CL** U-bar version, with two flanged washers and GN 708.1 spindle assembly
- EL** Solid bar version, with clasp, for welding

**Operating principle**



Size	F <sub>H</sub> in N Holding capacity	a ≈	b <sub>1</sub>	b <sub>2</sub>	b <sub>3</sub>	d <sub>1</sub>	d <sub>2</sub> ≈	h <sub>1</sub> ≈	h <sub>2</sub>	h <sub>3</sub>	h <sub>4</sub>	h <sub>5</sub>
130	1050	28	35	42	6,2	M 6	5,5	142	28	16	25,5	11,3
230	2000	40	43	45	8,5	M 8	6,5	168	33,5	18	30	9,5

Size	l <sub>1</sub> ≈		l <sub>2</sub> ≈	l <sub>3</sub> max.	l <sub>4</sub>	m <sub>1</sub>	m <sub>2</sub>	m <sub>3</sub>	m <sub>4</sub>	r ≈	s <sub>1</sub>	s <sub>2</sub>	w Adjustable range	
	Type AL	Type CL												
130	85	Type EL	86	42	54	55	12,5	19	27	29	79,5	2,5	5	17,5
230	110,5	112	112	58	73	68	18	21	32	32	104	3	6	20



**Specification**

- Steel —
  - Case-hardened Steel C 10 zinc plated, blue passivated
  - Bearing pins tempered
  - Bearing rivets case-hardened
- Stainless Steel NI  
AISI 304
- All moving parts lubricated with special grease
- Hand grip  
High quality, oil resistant, red plastic
- Spindle assembly GN 708.1, type A
  - Steel, zinc plated / Stainless Steel AISI 304
  - Rubber tip 85 Shore A
- *Stainless Steel characteristics* → Page 1489
- **RoHS compliant**

**Accessory**

- Spindle assemblies → Page 585 ff.
- Clamp mounts GN 801 (for toggle clamps) (for type AL) → Page 590
- Clamp mounts GN 809 (for toggle clamps) (for type EL) → Page 591

**Information**

GN 810.3 vertical acting toggle clamps have a safety function whereby, during closing, a spring loaded safety hook latch ensures a secure locking connection. It prevents the inadvertent unlocking of the clamp due to vibrations or an accidental attempt of loosening / opening of the clamp. To open and release the clamp, pull up on the finger grip to disengage the safety hook latch mechanism (one hand operation).

They work according to the toggle principle: lever and clamping bar move in the same direction. In the clamped position the operating lever is in its vertical position.

Vertical acting toggle clamps in the U-bar version with two flanged washers (type AL) can accommodate an application specific clamping screw. A spindle assembly with neoprene rubber tip is also included for type CL.

Type EL version can either be utilized by welding the clasp which can then accommodate an application specific hold-down fastener component, or by utilizing the bar in conjunction with the GN 809 clamp mounts to hold the work piece in place.

see also...

- *General information for toggle clamps* → Page 500
- *Heavy duty vertical acting toggle clamps GN 910* → Page 506

<b>How to order (Steel)</b>		1	Size
<b>GN 810.3-230-EL</b>		2	Type

<b>How to order (Stainless Steel)</b>		1	Size
<b>GN 810.3-130-CL-NI</b>		2	Type
		3	Material

