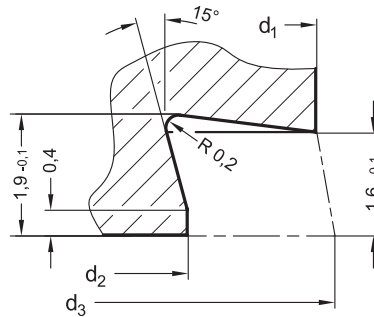
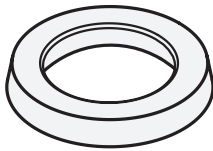


Diagram
Installation space



¹ d ₁	² d ₂	d ₃	s	³ d ₁	d ₂	d ₃	s	suitable for
Nominal dimensions - Installation space				Actual dimensions - Sealing rings				
12	8	12,8	1,6	11,25	7	12,35	2	GN 429 / GN 1580
14	10	14,8	1,6	13,25	9	14,35	2	GN 75.6 / GN 305 / GN 1580
16	12	16,8	1,6	15,25	11	16,35	2	GN 75.6 / GN 429
18	14	18,8	1,6	17,25	13	18,35	2	GN 75.6 / GN 305 / GN 1580 / GN 5435 / GN 5445
21	17	21,8	1,6	20,25	16	21,35	2	GN 1580 / GN 5435 / GN 5445
22	18	22,8	1,6	21,25	17	22,35	2	GN 305
25	21	25,8	1,6	24,25	20	25,35	2	-
30	26	30,8	1,6	29,25	25	30,35	2	-

Specification

- H-NBR **HNBR**
hydrogenated acrylonitrile butadiene rubber
- blue
- temperature resistant -25 °C to +150 °C
- FDA compliant
- Hardness 85 ±5 Shore A **85**
- RoHS compliant

Information

Components with cylindrical mounting surfaces which are installed in hygiene areas can be sealed and mounted without dead spaces using GN 7600 sealing rings.

As delivered, or unassembled, the sealing rings have the “actual dimensions” as stated in the table. To ensure a firm seating and reliable sealing, an installation space must be provided in the component as shown in the diagram. This ensures that when the sealing ring is installed, it will be subject to the necessary pressure without excess load. All surfaces which are in contact with the sealing ring should have a minimum surface quality of Ra 0.8 µm.

Ganter standard parts which are supplied with GN 7600 sealing rings are listed in the table and can be supplied individually in case service is required.

How to order	
¹ d ₁	
² d ₂	
³ s	
⁴ Material	
⁵ Hardness	

GN 7600-12-8-2-HNBR-85