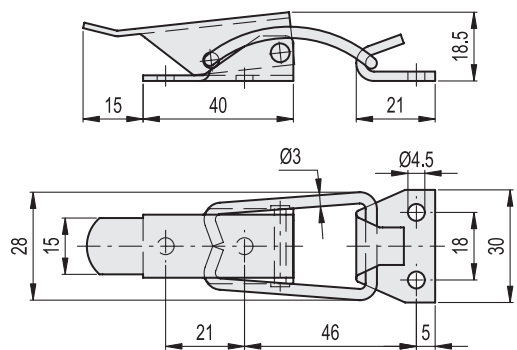


TLZ. | Hook clamps

Steel



LEVER BODY AND CATCH BRACKET MATERIAL
Zinc-plated steel.



Code	Description	Max. working load [N]	Load at breakage [N]	
420282	TLZ.Z-16/93+R	1000	2500	52

- 1
- 2
- 3
- 4
- 5
- 6
- 7
- 8
- 9
- 10
- 11
- 12
- 13
- 14
- 15
- RH