



1

WHEEL BODY

Phenolic based (PF) Duroplast monolithic wheel, resistant to temperatures up to 300°C.



2

ROLLING ACTION

Hub with steel or stainless steel tube (SST executions) and PTFE bosses.



3

TURNING PLATE BRACKET

Sheet made out of zinc-plated steel or AISI 304 stainless steel (SST executions), the bracket is designed to withstand loads up to 2000N. The presence of a double ball race and direct contact between the plate and the ball race ring with built-in pin ensure excellent manoeuvrability. Does not require maintenance. It consists of (see Fig.1):

1. fitting plate: electrolytically zinc-plated steel or AISI 304 stainless steel sheet;
2. fork: electrolytically zinc-plated steel or AISI 304 stainless steel sheet;
3. ball race ring: electrolytically zinc-plated steel or AISI 304 stainless steel sheet;
4. central pin: incorporated in the plate, cold reflanged;
5. rotation system: dual ball ring, high temperature grease-lubricated;
6. dust seal: RAL 7015 dark grey technopolymer.



4



5



6



7



8

STANDARD EXECUTIONS

- **SBL**: turning plate bracket, without brake.
- **FBL**: turning plate bracket and centre pass-through hole, without brake.

Index for bracket material:

- **N**: zinc-plated steel plate bracket.
- **N-SST**: AISI 304 stainless steel bracket.



9



10



11

APPLICATIONS

Being resistant to high temperatures, RE.F7-N-HT wheel is particularly suitable for use in food industries and cooking ovens, especially in the baking sector.



12



13



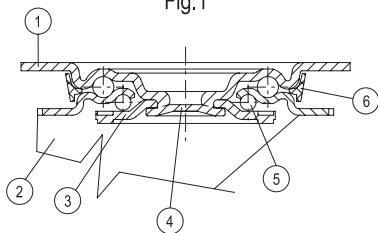
14

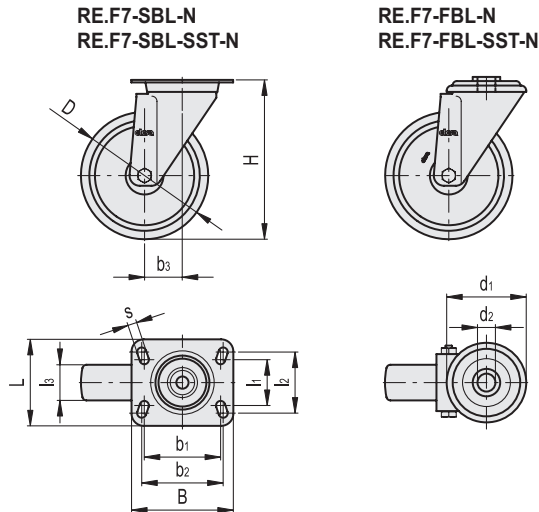


15



Fig.1





RE.F7-SBL-N

Code	Description	D	l1	l2	l3	H	B	L	s	b1	b2	b3	Rolling resistance# [N]	Dynamic carrying capacity# [N]	⚖️
448556	RE.F7-080-SBL-N-HT	80	45	60	35	107	100	85	9	75	80	37	1250	1500	710
448561	RE.F7-100-SBL-N-HT	100	45	60	35	128	100	85	9	75	80	35	1300	2000	850

RE.F7-FBL-N

Code	Description	D	d1	d2	l3	H	b3	Rolling resistance# [N]	Dynamic carrying capacity# [N]	⚖️
448683	RE.F7-080-FBL-N-HT	80	73	12	35	107	37	1250	1500	620
448685	RE.F7-100-FBL-N-HT	100	73	12	35	128	35	1300	2000	720

RE.F7-SBL-SST-N

INOX STAINLESS STEEL

Code	Description	D	l1	l2	l3	H	B	L	s	b1	b2	b3	Rolling resistance# [N]	Dynamic carrying capacity# [N]	⚖️
448701	RE.F7-080-SBL-SST-N-HT	80	45	60	35	107	100	85	9	75	80	37	1250	1500	710
448706	RE.F7-100-SBL-SST-N-HT	100	45	60	35	128	100	85	9	75	80	35	1300	2000	790

RE.F7-FBL-SST-N

INOX STAINLESS STEEL

Code	Description	D	d1	d2	l3	H	b3	Rolling resistance# [N]	Dynamic carrying capacity# [N]	⚖️
448851	RE.F7-080-FBL-SST-N-HT	80	73	12	35	107	37	1250	1500	620
448856	RE.F7-100-FBL-SST-N-HT	100	73	12	35	128	35	1300	2000	720

For rolling resistance and dynamic carrying capacity see Technical data (Catalogue 166 page 1296).