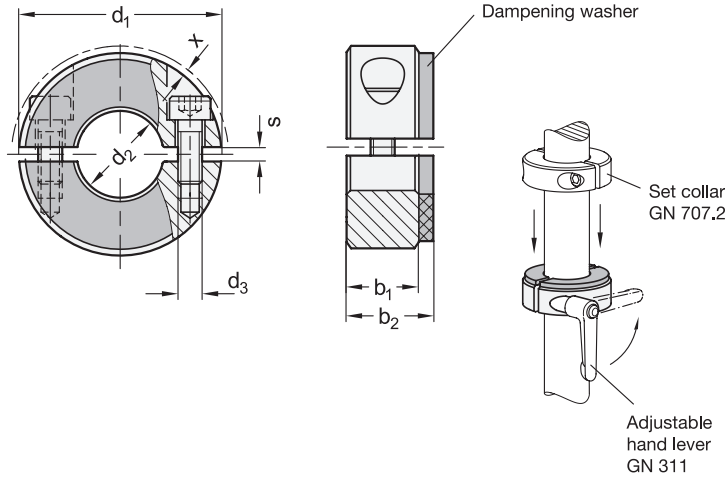


# GN 7072.3 Split Stainless Steel-Set collars with dampening washer



ROSTFREI  
Inox  
Stainless  
Steel

<b>d<sub>1</sub></b>	<b>d<sub>2</sub></b> H10 recommended shaft tolerance h11		<b>b<sub>1</sub></b>	<b>b<sub>2</sub></b>	<b>d<sub>3</sub></b>	<b>s</b>	<b>x ≈</b> max. protrusion of cap screw	Adjustable hand lever for d <sub>3</sub>
30	B 12	-	11	13	M 4	2,1	0,7	GN 311-30-M4-12-SW
32	B 14	-	11	13	M 4	2,1	0,7	GN 311-30-M4-12-SW
36	B 15	B 16	13	15	M 5	2,1	1,4	GN 311-30-M5-13-SW
42	B 18	B 20	15	18	M 5	3	0,6	GN 311-30-M5-15-SW
48	B 22	B 25	15	18	M 5	3	0	GN 311-45-M5-16-SW
55	B 28	B 30	15	18	M 6	3	0,5	GN 311-45-M6-18-SW
60	B 32	B 35	15	18	M 6	4	0,4	GN 311-45-M6-19-SW
65	B 40	-	15	18	M 6	4	0,5	GN 311-45-M6-20-SW

## Specification

- Stainless Steel Sintered Steel AISI 316 LHC **NI**
- Dampening washer  
Elastomer (PUR)  
- 70 Shore A  
- temperature resistant up to 80 °C  
- transparent
- Socket head cap screw DIN 912  
Stainless Steel AISI 304
- ISO-Fundamental tolerances  
→ Main catalogue page 1479
- Elastomer characteristics  
→ Main catalogue page 1483
- Stainless Steel characteristics  
→ Main catalogue page 1489
- RoHS compliant

## Accessory

- Adjustable hand levers GN 311 → Page 24

## Information

The affixed dampening washer of the split Stainless Steel-Set collars GN 7072.3 absorbs mild shocks and has a sound-dampening effect when the set collars come into contact with other components.

They can be assembled safely and easily with a high clamping force by reducing the slot height, without damaging the surface of shafts and axles. As compared to semi-split set collars, split set collars can even be assembled radially.

The thread d<sub>3</sub> for sizes d<sub>1</sub> = 30 to 36 is designed as a through hole; for sizes d<sub>1</sub> = 42 and larger, it is designed as blind hole.

see also...

- Semi-split Stainless Steel-Set collars GN 7062.3 (with dampening washer) → Page 15
- Split set collars GN 707.2 → Page 19

### How to order

**GN 7072.3-42-B18-NI**

1	d <sub>1</sub>
2	d <sub>2</sub>
3	Material

3.1  
3.2  
3.3  
3.4  
3.5  
3.6  
3.7  
3.8  
3.9

