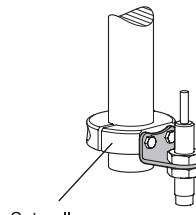
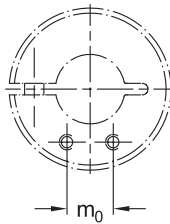


Top views for various bore-Ø d₁

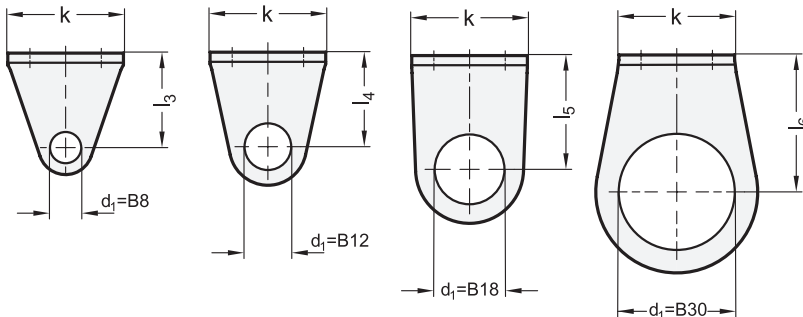


Set collar
GN 7062.1 / GN 7072.1



Rostfrei
Inox
Stainless
Steel

3 Type
L angled



1

2

m ₀	d ₁ +0,1				k	d ₂	l ₁	l ₂	l ₃	l ₄	l ₅	l ₆	m	s
8	B 8	B 12	-	-	14	3,5	13	9,5	15	19	-	-	8	2
10	B 8	B 12	B 18	-	18	4,5	14,5	10,5	19	24,5	29,5	-	10	2
12	B 8	B 12	B 18	B 30	23	4,5	17	12,5	19	24,5	29,5	35,5	12	2,5
18	B 8	B 12	B 18	B 30	30	5,5	18,5	12,5	24,5	24,5	29,5	35,5	18	2,5

Specification

- Stainless Steel AISI 304
matte shot-blasted
- *Stainless Steel characteristics*
→ *Main catalogue page 1489*
- **RoHS compliant**

Information

The Stainless Steel-Sensor holders GN 7062.10 are designed for holding sensors attached with two lock nuts.

The holes d₂ match the extension-tapped holes of the set collars GN 7062.1 / GN 7072.1 in measurement and facilitate axial or radial positioning of sensors.

see also...

- *Semi-split Stainless Steel-Set collars GN 7062.1*
(with extension-tapped holes) → *Page 13*
- *Split Stainless Steel-Set collars GN 7072.1*
(with extension-tapped holes) → *page 20*

How to order

GN 7062.10-B18-30-L

- 1** d₁
- 2** k
- 3** Type

3.1
3.2
3.3
3.4
3.5
3.6
3.7
3.8
3.9

