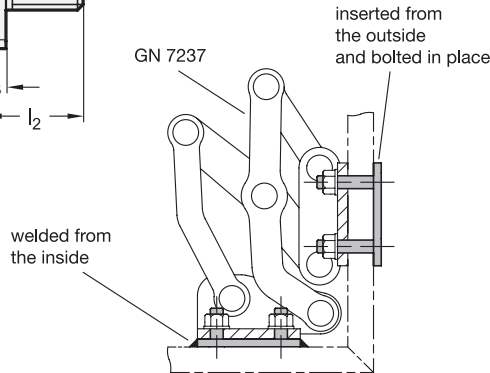


ROSTFREI
Inox
Stainless
Steel

Mounting example



3.1

3.2

3.3

3.4

3.5

² l ₁	³ l ₂		b	d	m	s
40	15	25	15	M 5	25	3
50	20	30	20	M 6	30	3
60	20	30	25	M 8	36	4

3.6

Specification

- Stainless Steel ¹ NI
 - AISI 304
 - matte, tumbled finish ⁴ MT
- Threaded studs
 - AISI 304
 - pressed in
- *Stainless Steel characteristics* → Page 1489
- **RoHS compliant**

On request

- other threaded studs
- other plate sizes
- other plate geometries

Information

Stainless Steel-Plates with threaded studs GN 2376 are designed as accessories for Stainless Steel-Multiple-joint hinges GN 7237 as well as hinges GN 235. They make additional threads, bolts, nuts and washers unnecessary during installation. This eliminates the labor-intensive pre-installation of such parts as well as the need to hold them in place during tightening or loosening.

The Stainless Steel-Plates with threaded studs are fastened from the outside via through-holes in the housing wall or alternatively by welding to the inside of the wall. This results in effective protection against vandalism, and the outsides of the housing remain free of attachments that do not match the design or that should be avoided entirely in the interests of easy cleaning.

see also...

- *Stainless Steel-Multiple-joint hinges GN 7237* → Page XYZ
- *Stainless Steel-Spacer plates GN 2370* → Page 961
- *Stainless Steel-Plates with tapped holes GN 2372* → Page 960
- *Rubber bumper stops GN 2374* → Page 962

3.7

3.8

3.9

How to order		1	Material
¹	²	2	l ₁
³	⁴	3	l ₂
GN 2376-NI-40-15-MT		4	Finish