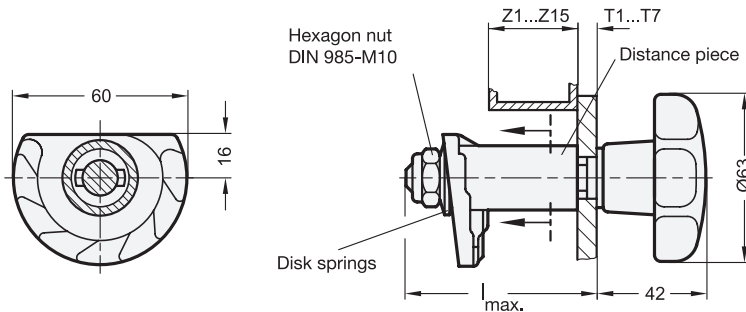




Type
SG with star knob



2

Door thickness **T1 ... T7**

T 1	T 2	T 3	T 4	T 5	T 6	T 7
1,5-3	3-4,5	4,5-6	6-7,5	7,5-9	9-10,5	10,5-12

3

Door frame thickness **Z 1 ... Z15**

Z 1	Z 2	Z 3	Z 4	Z 5	Z 6	Z 7	Z 8	Z 9	Z 10	Z 11	Z 12	Z 13	Z 14	Z 15
0-9	3-12	6-15	9-18	12-21	15-24	18-28	21-30	24-33	27-36	30-39	33-42	36-45	39-48	42-51

Max. Bolt length l_{max} for T + Z

T + Z	T + Z	T + Z	T + Z	T + Z	T + Z	T + Z	T + Z	T + Z	T + Z	T + Z	T + Z
≤ 13,5	≤ 18	≤ 22,5	≤ 27	≤ 31,5	≤ 36	≤ 40,5	≤ 45	≤ 49,5	≤ 54	≤ 58,5	≤ 63
31	35,5	40	44,5	49	53,5	58	62,5	67	71,5	76	80,5

Specification

- Star knob DIN 6336
Plastic (Polyamide PA)
black, matte
- Cam latch
Sheet steel
zinc plated, blue passivated
- Bolt and distance piece
Steel
zinc plated, blue passivated
- *Plastic characteristics* → Page 1483
- **RoHS compliant**

Information

Latches GN 117 are vibration proof and they have a pulling-in range of 10 mm. Locking is achieved by turning the knob clockwise.

Attention is drawn to its simple and hence cost saving installation.

see also...

- *List of latch types* → Page 892 ff.
- *Latches GN 117* → Page 922

How to order
GN 117-SG-T2-Z5

1	Type
2	Door thickness T
3	Door frame thickness Z



3.1

3.2

3.3

3.4

3.5

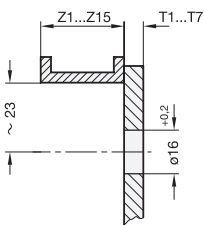
Construction and assembly instructions

3.6

By turning the latch clockwise the stepped and spring loaded cam latch moves up behind the door frame and pulls the door in.

The large pulling-in range of the cam (10 mm) allows these locks to be used successfully on doors with sealing strips. When selecting distance 'Z' the thickness of the door seal might have to be taken into consideration. The spring loaded cam (disc spring) prevents the door from opening under vibration.

3.7



A hole of 16 mm \varnothing is required in the door at a distance of 23 mm from door frame to hole centre. The bolt is inserted from the front. The distance piece, cam latch and disc springs follow on the shaft on the inside in that sequence.

3.8

The self-locking nut is fitted with a torque to allow free movement of the latch.

3.9

