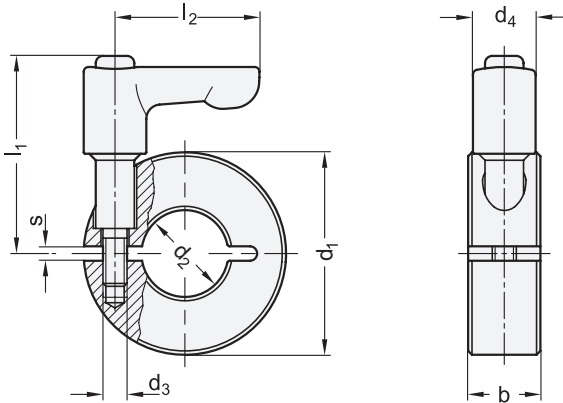


GN 706.4

Steel / Stainless Steel / Aluminum

Semi-split set collars

with adjustable hand lever



ROSTFREI
Inox
Stainless
Steel

1

2

d ₁	d ₂ H10 recommended shaft tolerance h11		b ±0,2	d ₃	d ₄	l ₁	l ₂	s
32	B 14	-	11	M 4	13	37	30	2,1
36	B 15	B 16	13	M 5	13	38,5	30	2,1
42	B 18	B 20	15	M 5	13	41	30	3
48	B 22	B 25	15	M 5	13	43	45	3
55	B 28	B 30	15	M 6	13	45	45	3
60	B 32	B 35	15	M 6	13	46,5	45	4
65	B 40	-	15	M 6	13	47,5	45	4

Specification

- Steel **ST**
Sintered Steel
black oxidised with vapor
- Stainless Steel **NI**
(Sintered Steel) AISI 316L
- Aluminum **AL**
ground
- Adjustable hand levers
 - Zinc die casting
plastic coated
black RAL 9005, textured finish
 - Screw insert and retaining screw
Stainless Steel AISI 303
- ISO-Fundamental tolerances → Page 1479
- Stainless Steel characteristics → Page 1489
- RoHS compliant

3

Information

Semi-split set collars GN 706.4 can safely and simply be clamped by reducing the slot height by using an adjustable clamping lever and thus they act, for instance, like an end stop. This version offers great advantages especially for applications that demand new positions of the set collar.

The thread d₃ for sizes d₁ = 32 and 36 is designed as a through hole; for sizes d₁ = 42 and larger, it is designed as blind hole.

see also...

- Semi-split set collars GN 706.2 (with socket head cap screw) → Page 858

How to order

GN 706.4-36-B16-AL

1	d ₁
2	d ₂
3	Material