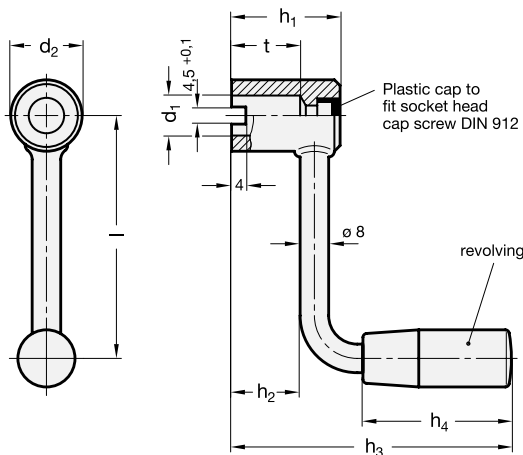
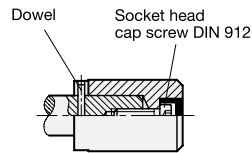



3 Type

- A** without slot
N with slot


Mounting information


1 Length l	2 d ₁ H9 Bore	d ₂	h ₁	h ₂ ≈	h ₃ ≈	h ₄ ≈	t +0,5	Ø Handle	for screws DIN 912
63	B 10	18	28	18	74	40	18	18	M5
80	B 10	18	28	18	74	40	18	18	M5
100	B 12	20	30	20	88	50	20	21	M6
125	B 12	20	30	20	88	50	20	21	M6

Specification

- Steel
 - shot-blasted and nickel plated
 - Crank butt-welded
- Plastic cap black
- Revolving handles GN 598
 - Plastic, Duroplast black, shiny finish
- Cross holes GN 110 → Page 1127
- ISO-Fundamental Tolerances → Page 1132
- RoHS-compliant

Information

Crankes GN 369 are for light duty applications and are of extremely good value.

A suitable dowel in the shaft and the slot in the handle provides a cheap connection to the shaft. To secure the handle permanently to the shaft, remove the plastic cap and insert screw.

Due to the production method which is not dependent on a specific shape, these cranked handles can be produced as specials at a competitive price.

How to order
GN369-80-B10-N

- | | |
|----------|----------------|
| 1 | Length l |
| 2 | d ₁ |
| 3 | Type |