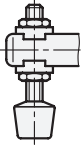




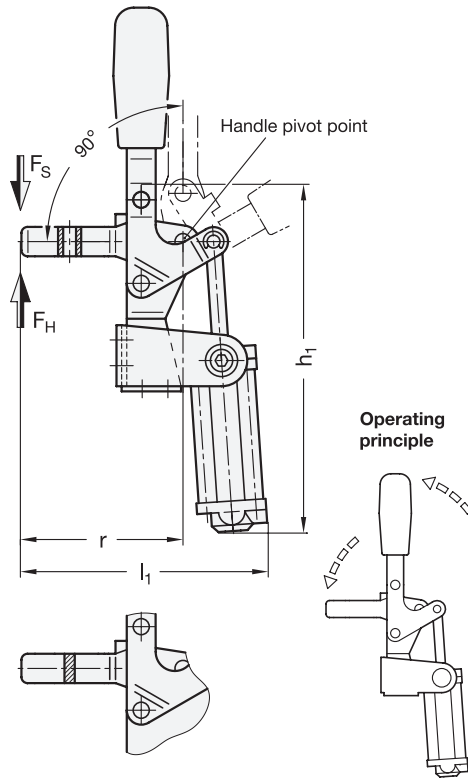
Type **CPV3S**



Type **APV3S**



Type **EPV3S**



2 Type

- APV3S** U-bar version, with two flanged washers
- CPV3S** U-bar version, with two flanged washers and GN 708.1 Spindle Assembly
- EPV3S** Solid bar version, with clasp

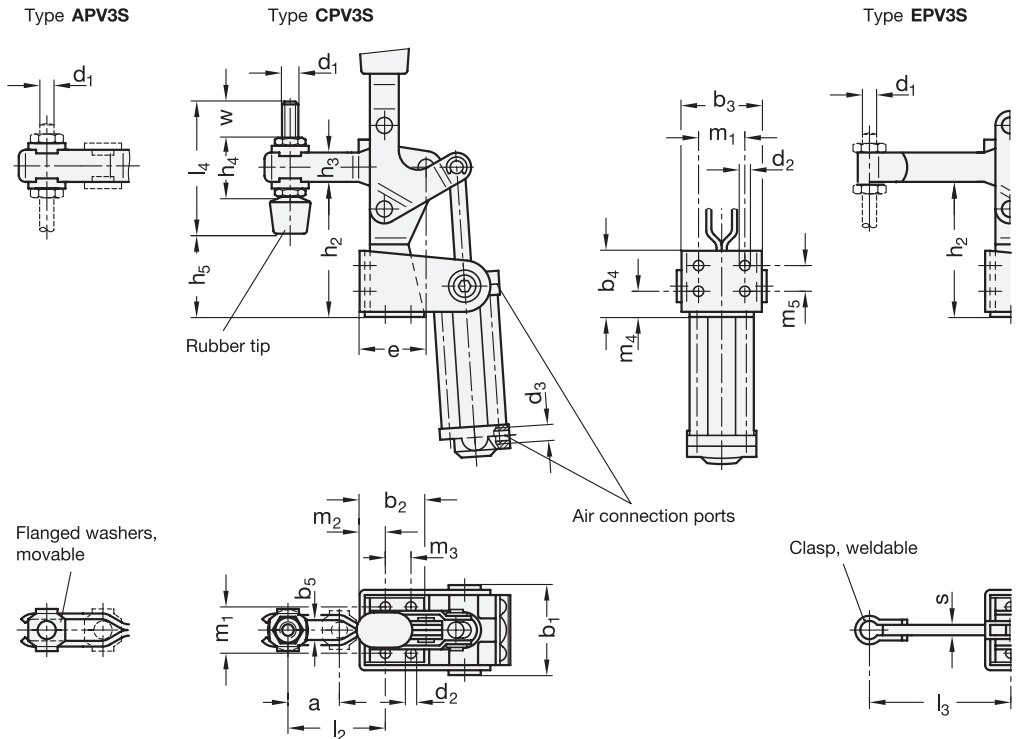
3 Coding

- M** magnetic piston

1

Size	F _H in N Holding Capacity	F _S in N Clamping Force at 4 bar ≈	a	b ₁	b ₂	b ₃	b ₄	b ₅	d ₁	d ₂	d ₃	Inside Ø Connection Tube	e
200	1600	970	34	59,5	38,5	51	35	8,5	M 8	6,5	G 1/8	4	39,5
300	2400	1050	42	68,5	53	60,5	50	10,3	M 10	8,5	G 1/4	6	50,5

Size	h ₁	h ₂	h ₃	h ₄ ≈	h ₅	l ₁ ≈	l ₂ ≈	l ₃ ≈ max.	l ₄	m ₁	m ₂	m ₃	m ₄	m ₅	r ≈	s	w Adjustable Range
200	296	78	17	29	54	150	59	80	68	26	14,5	16	11	16	98	6	21
300	360	108	20	35	79,5	187	74	104	77	30	16,5	28	12	30	122	8	21



Specification

- Parts in sheet metal
Case-hardened Steel C10
zinc plated, blue passivated finish
- Bearing pins hardened
- Bearing rivets case-hardened
- Air cylinder bearing pins
case-hardened
- Double-action air cylinder, maximum
pressure 6 bar
- All moving parts
lubricated with special grease
- Solid moulded plastic handle sleeve
red, oil resistant
- Spindle assembly GN 708.1, type A
- Steel, zinc plated
- Rubber tip 85 Shore A
- **RoHS compliant**

Accessory

- Spindle assemblies
- GN 801 Clamp mounts for toggle clamps
(for type APV3S)
- GN 809 Clamp mounts for toggle clamps
(for type EPV3S)
- GN 896.2 Proximity switches

Information

GN 862.1 pneumatic toggle clamps are built from the same construction as GN 862.

The special features of these clamps are that they can be mounted in two different planes, and they can also be operated manually via the grip handle. For example, they can individually be manually closed, and then all clamps can be opened at once via the pneumatic function.

To ensure an extended life of the mechanical parts as well as the air cylinders the operating pressure should not exceed 6 bar.

GN 862.1 pneumatic toggle clamps are also available as a version M (magnetic piston). In conjunction with GN 896.2 proximity switches, the piston position can be sensed and the generated impulse can be used to transmit an electrical signal.

see also...

- *General information for toggle clamps* → Page 676

How to order (without magnetic piston)	
1	Size
GN 862.1-300- EPV3S	
2	Type

How to order (with magnetic piston)	
1	Size
GN 862.1-200-APV3S-M	
2	Type
3	Coding

1.1
1.2
1.3
1.4
2.1
2.2
2.3
2.4

