

MATERIAL

Glass-fibre reinforced polyamide based (PA) technopolymer, red colour similar to RAL 3000, matte finish.

PACKING RING

NBR synthetic rubber O-Ring.

MAXIMUM CONTINUOUS WORKING TEMPERATURE

100°C.

GRAPHIC SYMBOL "DRAIN"

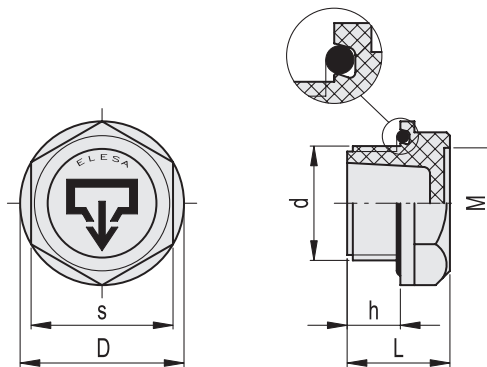
According to DIN regulations.

ACCESSORIES ON REQUEST

TSR. oil fill plugs are suitable for mounting aluminium plates with graphic symbols type MH.



ELESA Original design



| Code | Description | d | h | s | D | L | M | Tightening torque [Nm] | ⚖️ |
|--------|-------------|--------|----|----|------|----|------|------------------------|----|
| 158895 | TSR.1/4 | G 1/4 | 9 | 19 | 22 | 17 | 15 | 4+6 | 4 |
| 158896 | TSR.3/8 | G 3/8 | 9 | 22 | 25.5 | 18 | 17 | 8+10 | 6 |
| 158897 | TSR.1/2 | G 1/2 | 11 | 27 | 32 | 20 | 20.5 | 8+10 | 8 |
| 158898 | TSR.3/4 | G 3/4 | 12 | 32 | 37 | 22 | 25 | 10+12 | 14 |
| 158899 | TSR.1 | G 1 | 13 | 38 | 44 | 23 | 31 | 12+15 | 18 |
| 158911 | TSR.1¼ | G1 1/4 | 14 | 46 | 53.5 | 26 | 38 | 15+18 | 32 |
| 158913 | TSR.1½ | G1 1/2 | 15 | 55 | 63.5 | 28 | 46 | 15+18 | 51 |