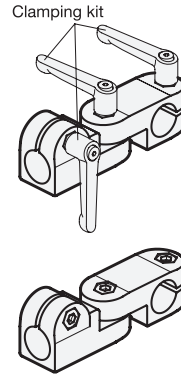
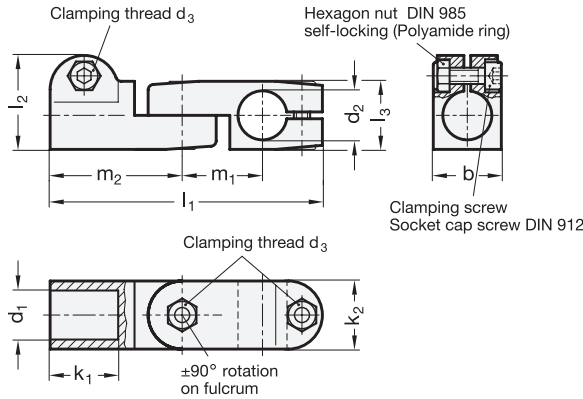



3 Identification No.
2 with 3 Stainless Steel-Clamping screws DIN 912



1 d_1 Bore B	2 d_2 Bore B	b Swivel width	d_3 Clamping thread	k_1	k_2	l_1	l_2	l_3	m_1	m_2	Clamping kit for d_3 
B 12	B 12	25	M 6	25	25	100	34,5	25	29,5	48,5	GN 911-M6-22
B 14	B 14	25	M 6	25	25	100	34,5	25	29,5	48,5	GN 911-M6-22
B 16	B 16	25	M 6	25	25	100	34,5	25	29,5	48,5	GN 911-M6-22
B 18	B 18	25	M 6	25	25	100	34,5	25	29,5	48,5	GN 911-M6-22

Specification

- Aluminum
 - plastic coated
 - black, RAL 9005, textured finish **● SW**
 - blank **○ BL**
 - mat shot-blasted
- Clamping bores mechanically machined
- Socket cap screws DIN 912
Stainless Steel AISI 304
- Hexagon nuts DIN 985
Stainless Steel AISI 304
- Stainless Steel characteristics → Page 1144
- RoHS compliant

Accessory

- Clamping kits GN 911 → Page 1031

Information

GN 287 swivel clamp connector joints are an assembly of swivel clamp connectors GN 275 and GN 277.

Since the swivel clamp connectors have an identical swivel width “b”, all bores “ d_1 / d_2 ” can be combined as required.

The clamping bores are mechanically machined and designed for construction tubes GN 990 or DIN 2391, DIN 2395 and DIN 2462 respectively.

The standard version of the clamping screws are socket cap screws with hexagonal socket DIN 912. They can be replaced by clamping kits GN 911 (see table of dimensions).

see also...

- Construction tubes GN 990 → Page 1027
- Retaining rods / Retaining tubes GN 480.1 → Page XYZ
- Swivel clamp connectors GN 275 → Page 1008
- Swivel clamp connectors GN 277 → Page 1010

How to order	
1	d_1
2	d_2
3	Identification No.
4	Finish

GN 287-B12-B12-2-SW