

- 1
- 2
- 3
- 4
- 5
- 6
- 7
- 8
- 9
- 10
- 11
- 12
- 13
- 14
- 15
- RH

COVERING

Grey anti-trace vulcanised rubber.

WHEEL CENTRE BODY

Polyamide based (PA) technopolymer.

ROLLING ACTION

Hub with pass-through hole.

FIXED PLATE BRACKET

Electrolytically zinc-plated steel sheet bracket.

TURNING PLATE BRACKET

Electrolytically zinc-plated steel sheet bracket.

The presence of two ball turns and the direct contact between the plate and the ball race ring with built-in pin ensure excellent manoeuvrability.

FRONT-ACTUATED BRAKE

Total brake that locks the wheel and bracket rotation. The optimised dimensions and the retractible pedal ensure minimal space occupied and maximum actuation ease.

STANDARD EXECUTIONS

- **PBL**: fixed plate bracket, without brake.
- **SBL**: turning plate bracket, without brake.
- **SBF**: turning plate bracket, with brake.
- **CBL**: turning plate bracket and threaded centre pin, without brake.
- **CBF**: turning plate bracket and threaded centre pin, with brake.
- **FBL**: turning plate bracket and centre pass-through hole, without brake.
- **FBF**: turning plate bracket and centre pass-through hole, with brake.

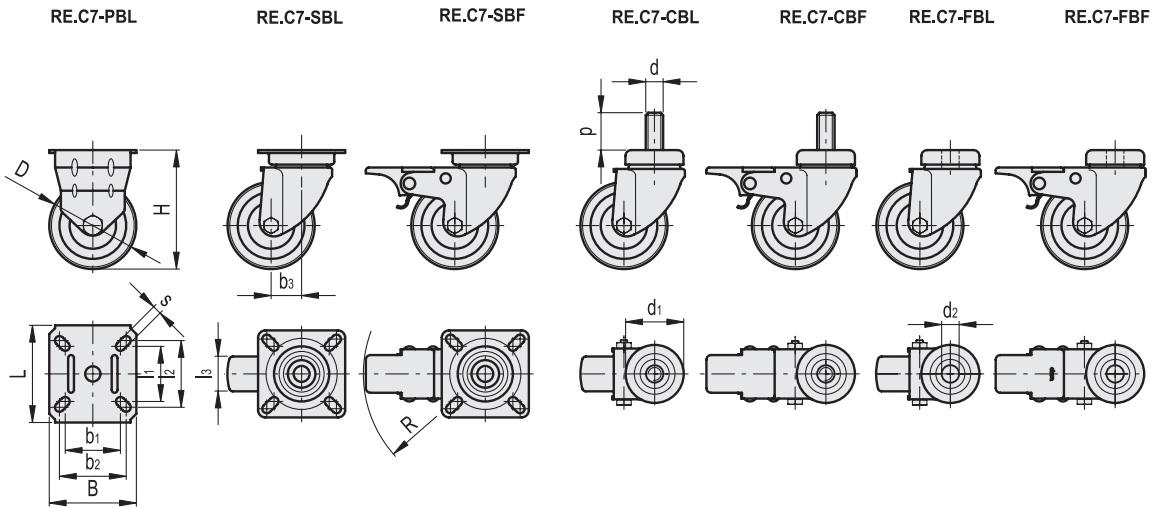
APPLICATIONS

Wheels for the general public, excellent rolling resistance and elasticity features.

ENVIRONMENTAL CONDITIONS

Suitable for use in humid environments and in the presence of medium-aggressive chemical environments; use in environments with the presence of organic, chlorinated solvents, hydrocarbons and mineral oils is not recommended.





Code	Description	D	d	p	d1	d2	b1	l1	b2	l2	l3	H	B	L	s	b3	R	Dynamic carrying capacity# [N]	
452096	RE.C7-040-PBL	40	-	-	-	-	27	27	33	33	18	59	42	42	5	-	-	300	110
452101	RE.C7-050-PBL	50	-	-	-	-	38.5	38.5	44	44	20	67	55	55	6	-	-	350	200
452106	RE.C7-060-PBL	60	-	-	-	-	39.5	39.5	48	48	24	83	60	67	6	-	-	500	260
452111	RE.C7-080-PBL	80	-	-	-	-	39.5	39.5	48	48	24	104	60	67	6	-	-	550	340
451996	RE.C7-040-SBL	40	-	-	-	-	30	30	33	33	18	59	42	42	5	24	-	300	120
452001	RE.C7-050-SBL	50	-	-	-	-	38.5	38.5	44	44	20	67	55	55	6	24	-	350	200
452006	RE.C7-060-SBL	60	-	-	-	-	38.5	38.5	48	48	24	83	60	67	6	21	-	500	280
452011	RE.C7-080-SBL	80	-	-	-	-	38.5	38.5	48	48	24	104	60	67	6	30	-	550	430
452046	RE.C7-040-SBF	40	-	-	-	-	30	30	33	33	18	59	42	42	5	24	78	300	150
452051	RE.C7-050-SBF	50	-	-	-	-	38.5	38.5	44	44	20	67	55	55	6	24	76	350	240
452056	RE.C7-060-SBF	60	-	-	-	-	38.5	38.5	48	48	24	83	60	67	6	21	84	500	400
452061	RE.C7-080-SBF	80	-	-	-	-	38.5	38.5	48	48	24	104	60	67	6	30	91	550	500
452146	RE.C7-040-CBL	40	M8	15	35	-	-	-	-	-	18	59	-	-	-	24	-	300	130
452151	RE.C7-050-CBL	50	M8	15	35	-	-	-	-	-	18	66	-	-	-	24	-	350	180
452156	RE.C7-060-CBL	60	M12	25	41	-	-	-	-	-	24	83	-	-	-	21	-	500	290
452161	RE.C7-080-CBL	80	M12	25	41	-	-	-	-	-	24	104	-	-	-	25	-	550	390
452196	RE.C7-040-CBF	40	M8	15	35	-	-	-	-	-	18	59	-	-	-	24	78	300	180
452201	RE.C7-050-CBF	50	M8	15	35	-	-	-	-	-	18	66	-	-	-	24	76	350	210
452206	RE.C7-060-CBF	60	M12	25	41	-	-	-	-	-	24	83	-	-	-	21	84	500	360
452211	RE.C7-080-CBF	80	M12	25	41	-	-	-	-	-	24	104	-	-	-	25	91	550	460
452246	RE.C7-040-FBL	40	-	-	35	10	-	-	-	-	18	59	-	-	-	24	-	300	110
452251	RE.C7-050-FBL	50	-	-	35	10	-	-	-	-	18	66	-	-	-	24	-	350	200
452256	RE.C7-060-FBL	60	-	-	41	12	-	-	-	-	24	83	-	-	-	21	-	500	280
452261	RE.C7-080-FBL	80	-	-	41	12	-	-	-	-	24	104	-	-	-	25	-	550	430
452296	RE.C7-040-FBF	40	-	-	35	10	-	-	-	-	18	59	-	-	-	24	78	300	140
452301	RE.C7-050-FBF	50	-	-	35	10	-	-	-	-	18	66	-	-	-	24	76	350	240
452306	RE.C7-060-FBF	60	-	-	41	12	-	-	-	-	24	83	-	-	-	21	84	500	400
452311	RE.C7-080-FBF	80	-	-	41	12	-	-	-	-	24	104	-	-	-	25	91	550	500

For dynamic carrying capacity see Technical data.

