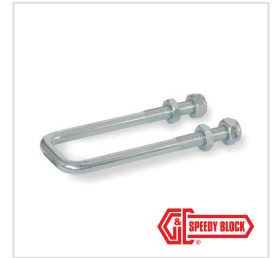
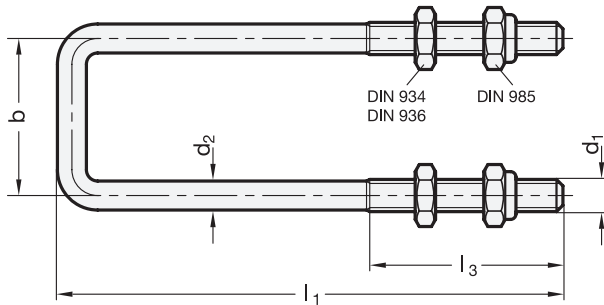


GN 951.2

Steel / Stainless Steel

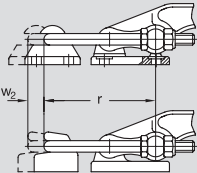
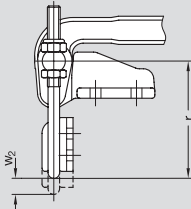
Square U-Bolts

for GN 852 / GN 852.1 / GN 852.3 latch type toggle clamps



ROSTFREI
Inox
Stainless
Steel

1 2 3

d ₁	b	l ₁	d ₂	l ₃								
					Size	GN 852 r at w ₂ =0	w ₂	GN 852.3 r at w ₂ =0	w ₂	GN 852.1 r at w ₂ =0	w ₂	
M 10	46	129*	9	45	1400	96	15	96	15	1400	95	15
M 10	46	149**	9	52	1400	106	22	106	22	1400	108	22
M 10	46	179	9	45	1400	146	15	146	15	1400	145	15
M 10	46	209	9	45	1400	176	15	176	15	1400	175	15
M 10	46	259	9	45	1400	226	15	226	15	1400	225	15
M 12	55	151*	10,8	70	2800	117	15	107	15	-	-	-
M 12	55	211	10,8	70	2800	156	36	156	36	-	-	-
M 12	55	361	10,8	70	2800	306	36	306	36	-	-	-
M 12	55	421	10,8	70	2800	366	36	366	36	-	-	-

* These U-bolt latch lengths are included in the delivery of standard orders for GN 852 / GN 852.3.
** These U-bolt latch length is included in the delivery of standard orders for GN 852.1

Specification

- Steel **ST**
zinc plated, blue passivated finish
- Stainless Steel AISI 304 **NI**
- Hex jam nuts (with Polyamide insert)
DIN 936 / DIN 985
Steel, zinc plated resp. Stainless Steel
- *Stainless Steel characteristics* → page 1144
- RoHS compliant

Information

- see also...
- *Latch-Type Toggle Clamps GN 852* → main catalogue page 736
 - *Stainless Steel- Latch-Type Toggle Clamps GN 852*
→ main catalogue page 738
 - *Vertical Hook-Type Toggle clamps GN 852.1* → New products
 - *Vertical Hook-Type Toggle clamps GN 852.3* → New products

How to order

GN951.2-M10-46-259-ST

1 d₁
2 b
3 l₁
4 Material