

- 1
- 2
- 3
- 4
- 5
- 6
- 7
- 8
- 9
- 10
- 11
- 12
- 13
- 14
- 15
- RH
-

CLAMP

Acetal resin based (POM) technopolymer.

BALL

Glass-fibre reinforced polyamide based (PA) technopolymer, black colour, matte finish.

MOUNTING

Self-tapping screw Ø 4.8 mm. UNI 7981 B or M5 cylindrical head screw with hexagon socket DIN 912.

FEATURES AND APPLICATIONS

BPS ball-shaped door lock (ELESA patent) consists of a clamp to be fixed to a frame and a ball to be fixed to a door.

The clamp, in which the ball fixed to the closing door is inserted, is a mechanical stop device also to the door movement, thanks to its shape. The screws, that fix the clamp and the ball respectively to the frame and to the door, are identical. Thus, making the assembly easier.

Under specific tests, the clamp showed constant performances for more than 20.000 cycles.

The ball-shaped door lock has been conceived for use with both shutter doors and sliding doors.

The minimum thickness for the profile suitable for use is 15 mm, while the distance between door and frame must be within 2.5 mm and 3.5 mm (fig.1).

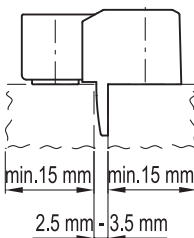
ACCESSORIES ON REQUEST

BPS.30-SP: acetal based (POM) technopolymer spacers kit 5, 10, 15 mm (sold separately), black colour in order to compensate possible differences in width between frame and door.

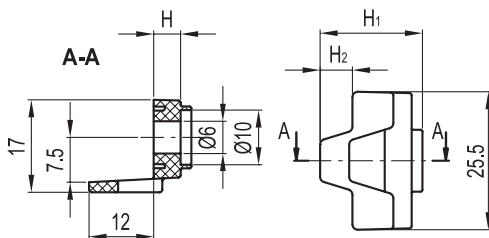
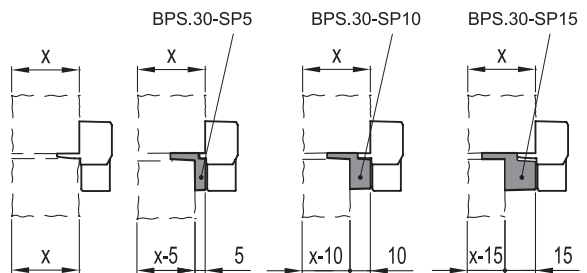


ELESA Original design

Fig.1

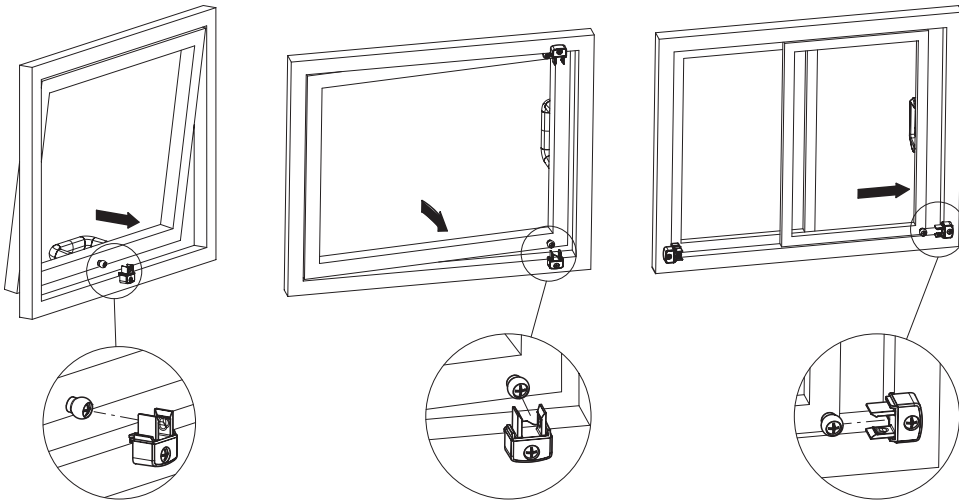


Examples of BPS.30-SP spacers assembly

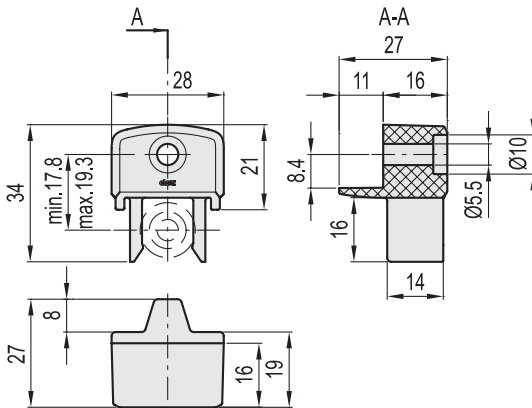


| Thickness differences between frame and door | Spacer to be used | Description |
|--|-------------------|---------------------------|
| 0 | - | - |
| 5 mm | 5 mm | BPS.30-SP5 |
| 10 mm | 10 mm | BPS.30-SP10 |
| BPS.30-SP15 | BPS.30-SP15 | BPS.30-SP15 |
| 20 mm | 10 mm + 10 mm | BPS.30-SP10 + BPS.30-SP10 |
| 25 mm | 10 mm + 15 mm | BPS.30-SP10 + BPS.30-SP15 |
| 30 mm | 15 mm + 15 mm | BPS.30-SP15 + BPS.30-SP15 |

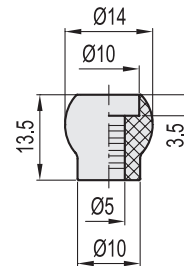
Application examples



Clamp



Ball



BPS

| Code | Description | Opening release strength [N] | ⚖️ |
|------|-------------|------------------------------|----|
| 6251 | BPS.30 | 30 | 10 |

BPS-SP

| Code | Description | H | H1 | H2 | ⚖️ |
|------|-------------|----|----|----|----|
| 6253 | BPS.30-SP5 | 5 | 19 | 6 | 3 |
| 6254 | BPS.30-SP10 | 10 | 23 | 8 | 4 |
| 6255 | BPS.30-SP15 | 15 | 28 | 9 | 5 |



Latches

1057