

- 1
- 2
- 3
- 4
- 5
- 6
- 7
- 8
- 9
- 10**
- 11
- 12
- 13
- 14
- 15
- RH
-

MATERIAL

Glass-fibre reinforced polyamide based (PA) technopolymer, black colour, matte finish.

STANDARD EXECUTIONS

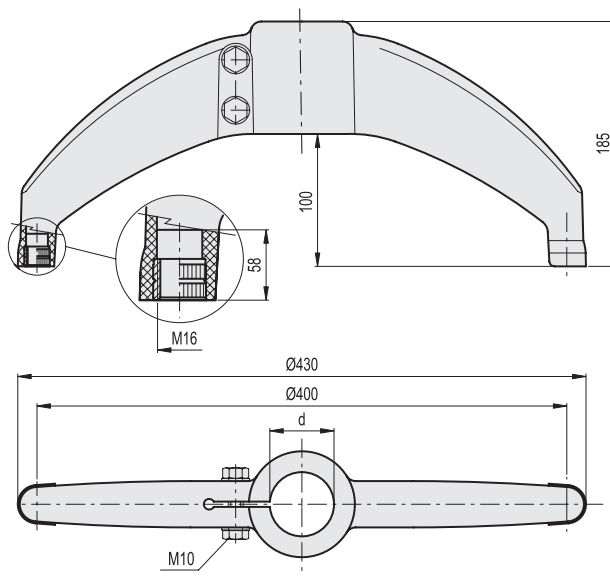
- **BAS2-A**: zinc-plated steel M10 screws, nuts and washers.
- **BAS2-SST**: AISI 304 stainless steel M10 screws, nuts and washers.

ASSEMBLY ON LEVELLING ELEMENTS

The bipod support bases are supplied with brass bosses, threaded pass-through hole for the assembly of the stem of the levelling element series LS.A (see page 798), LV.A (see page 804), LV.F (see page 818).

FEATURES AND APPLICATIONS

The absence of cavities and the slightly round shapes offer modern and elegant aesthetics and guarantee the best cleaning.



BAS2-A

Code	Description	d Tube (mm)	d Tube (BSP/GAS)	△
419636	BAS2-42-A	42.4	1"1/4	680
419634	BAS2-48-A	48.3	1"1/2	670
419632	BAS2-60-A	60.3	2"	650

BAS2-SST

Code	Description
419637	BAS2-42-SST
419635	BAS2-48-SST
419633	BAS2-60-SST

