

**MATERIAL**

Glass-fibre reinforced polyamide based (PA) technopolymer, black colour, matte finish.

**STANDARD EXECUTIONS**

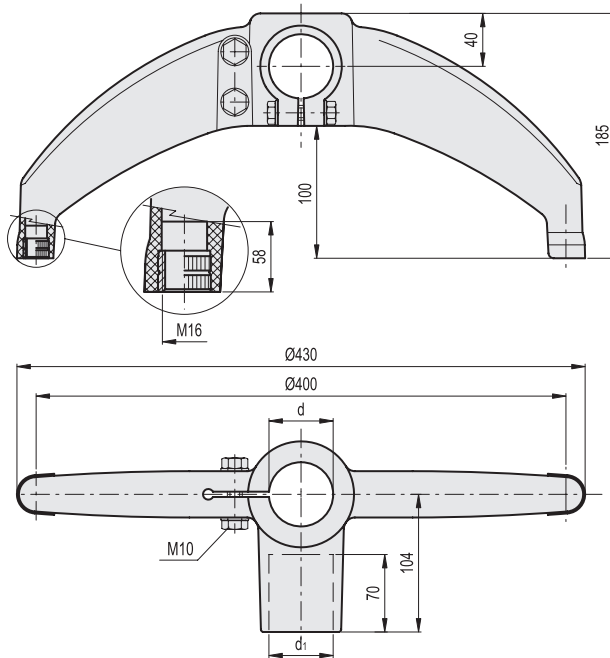
- **BAG2-180-A**: zinc-plated steel M10 screws, nuts and washers.
- **BAG2-180-SST**: AISI 304 stainless steel M10 screws, nuts and washers.

**ASSEMBLY ON LEVELLING ELEMENTS**

The bipod support bases are supplied with brass bosses, threaded pass-through hole for the assembly of the stem of the levelling element series LS.A (see page 798), LVA (see page 804), LV.F (see page 818).

**FEATURES AND APPLICATIONS**

The absence of cavities and the slightly round shapes offer modern and elegant aesthetics and guarantee the best cleaning.



**BAG2-180-A**

Code	Description	dTube (mm)	d Tube (BSP/GAS)	d1 Tube (mm)	d1 Tube (BSP/GAS)	Δ
419630	BAG2-180-42-42-A	42.4	1"1/4	42.4	1"1/4	720
419628	BAG2-180-48-42-A	48.3	1"1/2	42.4	1"1/4	710
419626	BAG2-180-48-48-A	48.3	1"1/2	48.3	1"1/2	700
419624	BAG2-180-60-42-A	60.3	2"	42.4	1"1/4	690
419622	BAG2-180-60-48-A	60.3	2"	48.3	1"1/2	680

**BAG2-180-SST**

Code	Description
419631	BAG2-180-42-42-SST
419629	BAG2-180-48-42-SST
419627	BAG2-180-48-48-SST
419625	BAG2-180-60-42-SST
419623	BAG2-180-60-48-SST



Leveling elements and supports