

LX | Levelling elements

Technopolymer base, steel or stainless steel stem

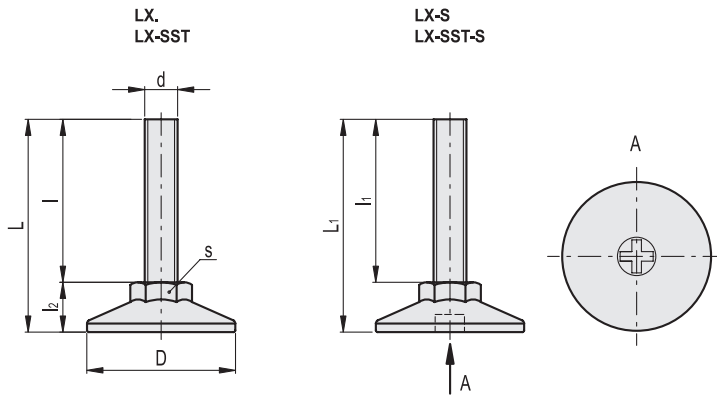
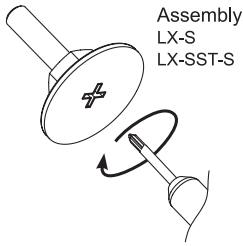


BASE

Polyamide based (PA) technopolymer with adjusting hexagon, black colour, matte finish.

STANDARD EXECUTIONS

- **LX**: zinc-plated steel threaded stem.
- **LX-S**: zinc-plated steel threaded stem, base with screwdriver slot.
- **LX-SST**: AISI 304 stainless steel threaded stem.
- **LX-SST-S**: AISI 304 stainless steel threaded stem, base with screwdriver slot.




LX

LX-S

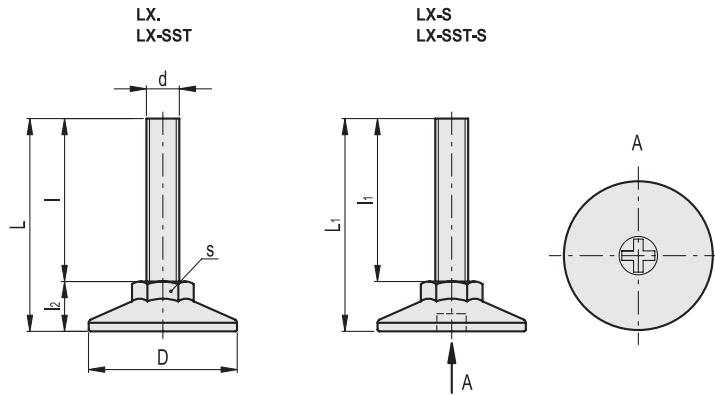
Code	Description	Code	Description	D	d	L	L1	l	l2	s	Max. limit stati load* [N]	⚖️
431001	LX.25-SW13-M6x24	431001-S	LX.25-SW13-M6x26-S	25	M6	35	37	24	11	13	1500	8
431003	LX.25-SW13-M6x34	431003-S	LX.25-SW13-M6x36-S	25	M6	45	47	34	11	13	1500	10
431005	LX.25-SW13-M6x54	431005-S	LX.25-SW13-M6x56-S	25	M6	65	67	54	11	13	1500	14
431007	LX.25-SW13-M6x62	431007-S	LX.25-SW13-M6x64-S	25	M6	73	75	62	11	13	1500	16
431011	LX.25-SW13-M8x17	431011-S	LX.25-SW13-M8x19-S	25	M8	28	30	17	11	13	2500	10
431013	LX.25-SW13-M8x22	431013-S	LX.25-SW13-M8x24-S	25	M8	33	35	22	11	13	2500	12
431015	LX.25-SW13-M8x32	431015-S	LX.25-SW13-M8x32-S	25	M8	43	45	32	11	13	2500	14
431017	LX.25-SW13-M8x52	431017-S	LX.25-SW13-M8x54-S	25	M8	63	65	52	11	13	2500	18
431019	LX.25-SW13-M8x72	431019-S	LX.25-SW13-M8x74-S	25	M8	83	85	72	11	13	2500	22

* The max static load is the value above which the load applied to the element may cause some plastic material breakage, in particular conditions of use. Obviously, a factor that takes into consideration the importance and the safety level of the specific application must be applied to this value.

LX		LX-S		D	d	L	L1	l	l2	s	Max. limit stati load* [N]	
Code	Description	Code	Description									
431051	LX.30-SW17-M6x22	431051-S	LX.30-SW17-M6x24-S	30	M6	34	36	22	12	17	1500	14
431053	LX.30-SW17-M6x32	431053-S	LX.30-SW17-M6x34-S	30	M6	44	46	32	12	17	1500	16
431055	LX.30-SW17-M6x52	431055-S	LX.30-SW17-M6x54-S	30	M6	64	66	52	12	17	1500	20
431057	LX.30-SW17-M8x16	431057-S	LX.30-SW17-M8x18-S	30	M8	28	30	16	12	17	2500	17
431059	LX.30-SW17-M8x21	431059-S	LX.30-SW17-M8x23-S	30	M8	33	35	21	12	17	2500	18
431061	LX.30-SW17-M8x31	431061-S	LX.30-SW17-M8x33-S	30	M8	43	45	31	12	17	2500	20
431063	LX.30-SW17-M8x51	431063-S	LX.30-SW17-M8x53-S	30	M8	63	65	51	12	17	2500	24
431065	LX.30-SW17-M8x71	431065-S	LX.30-SW17-M8x73-S	30	M8	83	85	71	12	17	2500	28
431067	LX.30-SW17-M10x16	431067-S	LX.30-SW17-M10x18-S	30	M10	28	30	16	12	17	3000	21
431069	LX.30-SW17-M10x21	431069-S	LX.30-SW17-M10x23-S	30	M10	33	35	21	12	17	3000	22
431071	LX.30-SW17-M10x31	431071-S	LX.30-SW17-M10x33-S	30	M10	43	45	31	12	17	3000	24
431073	LX.30-SW17-M10x41	431073-S	LX.30-SW17-M10x43-S	30	M10	53	55	41	12	17	3000	26
431075	LX.30-SW17-M10x51	431075-S	LX.30-SW17-M10x53-S	30	M10	63	65	51	12	17	3000	28
431077	LX.30-SW17-M10x61	431077-S	LX.30-SW17-M10x63-S	30	M10	73	75	61	12	17	3000	30
431079	LX.30-SW17-M10x71	431079-S	LX.30-SW17-M10x73-S	30	M10	83	85	71	12	17	3000	32
431031	LX.40-SW17-M8x12	431031-S	LX.40-SW17-M8x14-S	40	M8	24.5	26.5	11.5	13	17	2500	20
431033	LX.40-SW17-M8x20	431033-S	LX.40-SW17-M8x22-S	40	M8	32.5	34.5	19.5	13	17	2500	22
431035	LX.40-SW17-M8x30	431035-S	LX.40-SW17-M8x32-S	40	M8	42.5	44.5	29.5	13	17	2500	24
431037	LX.40-SW17-M8x50	431037-S	LX.40-SW17-M8x52-S	40	M8	62.5	64.5	49.5	13	17	2500	26
431039	LX.40-SW17-M8x70	431039-S	LX.40-SW17-M8x72-S	40	M8	82.5	84.5	69.5	13	17	2500	29
431041	LX.40-SW17-M10x20	431041-S	LX.40-SW17-M10x22-S	40	M10	32.5	34.5	19.5	13	17	3000	24
431042	LX.40-SW17-M10x30	431042-S	LX.40-SW17-M10x32-S	40	M10	42.5	44.5	29.5	13	17	3000	26
431043	LX.40-SW17-M10x40	431043-S	LX.40-SW17-M10x42-S	40	M10	52.5	54.5	39.5	13	17	3000	28
431044	LX.40-SW17-M10x50	431044-S	LX.40-SW17-M10x52-S	40	M10	62.5	64.5	49.5	13	17	3000	31
431045	LX.40-SW17-M10x60	431045-S	LX.40-SW17-M10x62-S	40	M10	72.5	74.5	59.5	13	17	3000	34
431046	LX.40-SW17-M10x70	431046-S	LX.40-SW17-M10x72-S	40	M10	82.5	84.5	69.5	13	17	3000	37
431049	LX.40-SW17-M10x100	431049-S	LX.40-SW17-M10x102-S	40	M10	112.5	114.5	99.5	13	17	3000	46
431047	LX.40-SW17-M12x50	431047-S	LX.40-SW17-M12x52-S	40	M12	62.5	64.5	49.5	13	17	5000	34
431048	LX.40-SW17-M12x70	431048-S	LX.40-SW17-M12x72-S	40	M12	82.5	84.5	69.5	13	17	5000	40
431050	LX.40-SW17-M12x100	431050-S	LX.40-SW17-M12x102-S	40	M12	112.5	114.5	99.5	13	17	5000	50
431081	LX.50-SW19-M10x46	431081-S	LX.50-SW19-M10x48-S	50	M10	62.5	64.5	45.5	17	19	3000	64
431082	LX.50-SW19-M10x66	431082-S	LX.50-SW19-M10x68-S	50	M10	82.5	84.5	65.5	17	19	3000	68
431083	LX.50-SW19-M10x96	431083-S	LX.50-SW19-M10x98-S	50	M10	112.5	114.5	95.5	17	19	3000	75
431084	LX.50-SW19-M12x46	431084-S	LX.50-SW19-M12x48-S	50	M12	62.5	64.5	45.5	17	19	5000	67
431085	LX.50-SW19-M12x66	431085-S	LX.50-SW19-M12x68-S	50	M12	82.5	84.5	65.5	17	19	5000	72
431086	LX.50-SW19-M12x96	431086-S	LX.50-SW19-M12x98-S	50	M12	112.5	114.5	95.5	17	19	5000	79
431091	LX.60-SW24-M12x44	431091-S	LX.60-SW24-M12x46-S	60	M12	62.5	64.5	43.5	19	24	5000	67
431092	LX.60-SW24-M12x64	431092-S	LX.60-SW24-M12x66-S	60	M12	82.5	84.5	63.5	19	24	5000	73
431093	LX.60-SW24-M12x94	431093-S	LX.60-SW24-M12x96-S	60	M12	112.5	114.5	93.5	19	24	5000	82
431094	LX.60-SW24-M16x64	431094-S	LX.60-SW24-M16x66-S	60	M16	82.5	84.5	63.5	19	24	7500	102
431095	LX.60-SW24-M16x104	431095-S	LX.60-SW24-M16x106-S	60	M16	122.5	124.5	103.5	19	24	7500	132
431096	LX.60-SW24-M16x144	431096-S	LX.60-SW24-M16x146-S	60	M16	162.5	164.5	143.5	19	24	7500	156

* The max static load is the value above which the load applied to the element may cause some plastic material breakage, in particular conditions of use. Obviously, a factor that takes into consideration the importance and the safety level of the specific application must be applied to this value.





LX-SST		LX-SST-S		D	d	L	L1	l	l2	s	Max. limit stati load* [N]	
431101	LX.25-SW13-SST-M6x24	431101-S	LX.25-SW13-SST-M6x26-S	25	M6	35	37	24	11	13	1500	8
431103	LX.25-SW13-SST-M6x34	431103-S	LX.25-SW13-SST-M6x36-S	25	M6	45	47	34	11	13	1500	10
431105	LX.25-SW13-SST-M6x54	431105-S	LX.25-SW13-SST-M6x56-S	25	M6	65	67	54	11	13	1500	14
431113	LX.25-SW13-SST-M8x22	431113-S	LX.25-SW13-SST-M8x24-S	25	M8	35	37	24	11	13	2500	16
431115	LX.25-SW13-SST-M8x32	431115-S	LX.25-SW13-SST-M8x34-S	25	M8	43	45	32	11	13	2500	10
431117	LX.25-SW13-SST-M8x52	431117-S	LX.25-SW13-SST-M8x54-S	25	M8	63	65	52	11	13	2500	12
431151	LX.30-SW17-SST-M6x22	431151-S	LX.30-SW17-SST-M6x24-S	30	M6	34	36	22	12	17	1500	14
431153	LX.30-SW17-SST-M6x32	431153-S	LX.30-SW17-SST-M6x34-S	30	M6	44	46	32	12	17	1500	18
431155	LX.30-SW17-SST-M6x52	431155-S	LX.30-SW17-SST-M6x54-S	30	M6	64	66	52	12	17	1500	22
431159	LX.30-SW17-SST-M8x21	431159-S	LX.30-SW17-SST-M8x23-S	30	M8	33	35	21	12	17	2500	14
431161	LX.30-SW17-SST-M8x31	431161-S	LX.30-SW17-SST-M8x33-S	30	M8	43	45	31	12	17	2500	16
431163	LX.30-SW17-SST-M8x51	431163-S	LX.30-SW17-SST-M8x53-S	30	M8	63	65	51	12	17	2500	20
431171	LX.30-SW17-SST-M10x31	431171-S	LX.30-SW17-SST-M10x33-S	30	M10	43	45	31	12	17	3000	17
431175	LX.30-SW17-SST-M10x51	431175-S	LX.30-SW17-SST-M10x53-S	30	M10	63	65	51	12	17	3000	18
431179	LX.30-SW17-SST-M10x71	431179-S	LX.30-SW17-SST-M10x73-S	30	M10	83	85	71	12	17	3000	20
431133	LX.40-SW17-SST-M8x20	431133-S	LX.40-SW17-SST-M8x22-S	40	M8	32.5	34.5	19.5	13	17	2500	24
431135	LX.40-SW17-SST-M8x30	431135-S	LX.40-SW17-SST-M8x32-S	40	M8	42.5	44.5	29.5	13	17	2500	28
431137	LX.40-SW17-SST-M8x50	431137-S	LX.40-SW17-SST-M8x52-S	40	M8	62.5	64.5	49.5	13	17	2500	21
431142	LX.40-SW17-SST-M10x30	431142-S	LX.40-SW17-SST-M10x32-S	40	M10	42.5	44.5	29.5	13	17	3000	22
431144	LX.40-SW17-SST-M10x50	431144-S	LX.40-SW17-SST-M10x52-S	40	M10	62.5	64.5	49.5	13	17	3000	24
431146	LX.40-SW17-SST-M10x70	431146-S	LX.40-SW17-SST-M10x72-S	40	M10	82.5	84.5	69.5	13	17	3000	26
431148	LX.40-SW17-SST-M12x50	431148-S	LX.40-SW17-SST-M12x52-S	40	M12	62.5	64.5	49.5	13	17	5000	34
431149	LX.40-SW17-SST-M12x70	431149-S	LX.40-SW17-SST-M12x72-S	40	M12	82.5	84.5	69.5	13	17	5000	40
431150	LX.40-SW17-SST-M12x100	431150-S	LX.40-SW17-SST-M12x102-S	40	M12	112.5	114.5	99.5	13	17	5000	50
431181	LX.50-SW19-SST-M10x46	431181-S	LX.50-SW19-SST-M10x48-S	50	M10	62.5	64.5	45.5	17	19	3000	64
431182	LX.50-SW19-SST-M10x66	431182-S	LX.50-SW19-SST-M10x68-S	50	M10	82.5	84.5	65.5	17	19	3000	68
431183	LX.50-SW19-SST-M10x96	431183-S	LX.50-SW19-SST-M10x98-S	50	M10	112.5	114.5	95.5	17	19	3000	75
431184	LX.50-SW19-SST-M12x46	431184-S	LX.50-SW19-SST-M12x48-S	50	M12	62.5	64.5	45.5	17	19	5000	67
431185	LX.50-SW19-SST-M12x66	431185-S	LX.50-SW19-SST-M12x68-S	50	M12	82.5	84.5	65.5	17	19	5000	72
431186	LX.50-SW19-SST-M12x96	431186-S	LX.50-SW19-SST-M12x98-S	50	M12	112.5	114.5	95.5	17	19	5000	79
431191	LX.60-SW24-SST-M12x44	431191-S	LX.60-SW24-SST-M12x46-S	60	M12	62.5	64.5	43.5	19	24	5000	67
431192	LX.60-SW24-SST-M12x64	431192-S	LX.60-SW24-SST-M12x66-S	60	M12	82.5	84.5	63.5	19	24	5000	73
431193	LX.60-SW24-SST-M12x94	431193-S	LX.60-SW24-SST-M12x96-S	60	M12	112.5	114.5	93.5	19	24	5000	82
431194	LX.60-SW24-SST-M16x64	431194-S	LX.60-SW24-SST-M16x66-S	60	M16	82.5	84.5	63.5	19	24	7500	102
431195	LX.60-SW24-SST-M16x104	431195-S	LX.60-SW24-SST-M16x106-S	60	M16	122.5	124.5	103.5	19	24	7500	132
431196	LX.60-SW24-SST-M16x144	431196-S	LX.60-SW24-SST-M16x146-S	60	M16	162.5	164.5	143.5	19	24	7500	156

* The max static load is the value above which the load applied to the element may cause some plastic material breakage, in particular conditions of use. Obviously, a factor that takes into consideration the importance and the safety level of the specific application must be applied to this value.