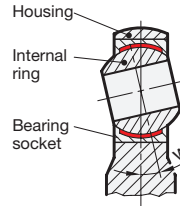
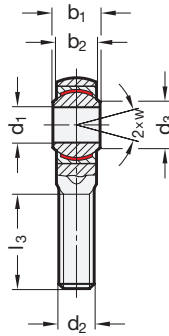
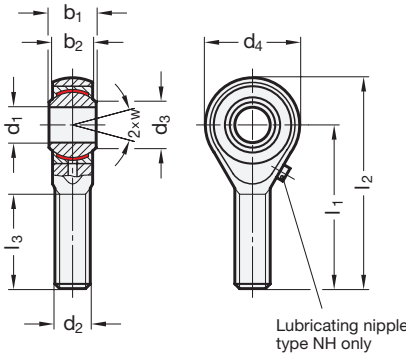


Type NH

Type WH
Type WK



ROSTFREI®
Inox
Stainless
Steel

3 Type (Pairings)

- NH** Bronze / Steel lubrication possible
- WH** Bronze-PTFE / Steel self lubricated
- WK** Stainless Steel-PTFE / self lubricated

1

2

d ₁ H7	d ₂	Left hand thread	b ₁ -0,12	b ₂	d ₃	d ₄	l ₁	l ₂	l ₃	w Movement angle
5*	M 5	M 5L	8	6	7,7	18	33	42	20	13°
6	M 6	M 6L	9	6,75	8,9	20	36	46	22	13°
8	M 8	M 8L	12	9	10,4	24	42	54	25	14°
10	M 10	M 10L	14	10,5	12,9	28	48	62	29	13°
12	M 12	M 12L	16	12	15,4	32	54	70	33	13°
14	M 14	M 14L	19	13,5	16,8	36	60	78	38	16°
16	M 16	M 16L	21	15	19,3	42	66	87	40	15°
18	M 18 x 1,5	M 18 x 1,5L	23	16,5	21,8	46	72	95	44	15°
20	M 20 x 1,5	M 20 x 1,5L	25	18	24,3	50	78	103	47	14°
22	M 22 x 1,5	M 22 x 1,5L	28	20	25,8	54	84	111	51	15°
25	M 24 x 2	M 24 x 2L	31	22	29,6	60	94	124	58	15°
30	M 30 x 2	M 30 x 2L	37	25	34,8	70	110	145	71	17°

* d₁ = 5 type N no lubrication possible

Specification

- Housing Stainless Steel AISI 431 forged, polished
- Pairings
 - Type NH (lubrication possible)
Bearing socket Bronze CuSn8
Internal ring Steel 100Cr6 hardened, ground, polished, **hard chrome plated**
 - Type WH (self lubricated)
Bearing socket Bronze CuSn8 with PTFE-insert
Internal ring Steel 100Cr6 hardened, ground, polished, **hard chrome plated**
 - Type WK (self lubricated)
Bearing socket, Stainless Steel AISI 316Ti with PTFE insert
Internal ring, Stainless Steel AISI 420 hardened, ground, polished
- RoHS compliant

Information

Stainless Steel-Ball joint heads GN 648.6 are similar to DIN ISO 12240-4, series K (formerly DIN 648 K).

see also...

- More information to ball joint heads as well as load capacity → Page 947
- Ball joint heads with threaded bolt GN 648.2 (Steel, zinc plated) → Page 949

On request

- narrow model (ISO 12240-1, series E)

How to order

GN648.6-16-M16-NH

- 1 d₁
- 2 d₂
- 3 Type

2.1
2.2
2.3
2.4
2.5
2.6
2.7
2.8
2.9