

MATERIAL

High-resilience technopolymer coated with "soft-touch" thermoplastic elastomer (TPE), grey-black colour, matte finish.

CENTRE CAP

Glass-fibre reinforced polyamide based (PA) technopolymer in Ergostyle colours, matte finish. Provided with the supply, push-fit assembly, removable by a screwdriver.

Available also as accessory sold separately (see table ECB.).

Code	Description	Closing cap for
29672-*	ECB.G2-*	EGK.50
29673-*	ECB.G3-*	EGK.63

* Complete with colour index (C1, ..., C6).

STANDARD EXECUTIONS

Assembly by means of a keyway or a transversal pin in the semi-machined hole f or a set screw (redrill and tap hole f).

- **EGK:** black-oxide steel boss, H7 reamed hole.
- **EGK-SST:** AISI 303 stainless steel boss, H7 reamed hole.

FEATURES AND APPLICATIONS

The special four-concave-mark shape of the knob and the "soft-touch" elastomer coating allow the best grip during clicking operation even in the presence of oils, grease and sweat from the hand. Particularly suitable for fitness machines, disability aids, tools and machines for gardening and high-precision instruments.

ACCESSORIES ON REQUEST

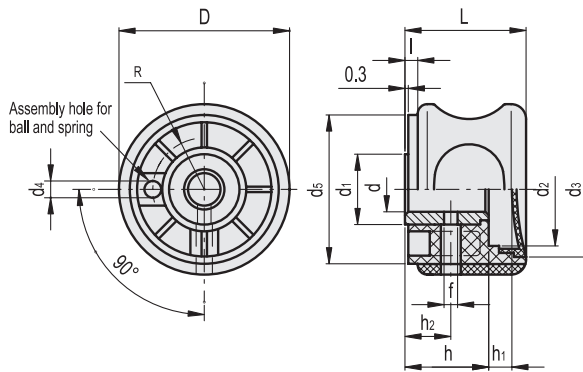
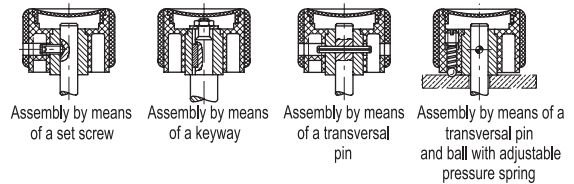
Ball and spring for clicking operation to be fitted in the assembly hole (see ball and spring MS. on page 449).



ERGOSTYLE® ELESA Original design



Assembly examples



* Complete with colour index, example: 215161-C2 EGK.50 A-10-C2

- C1** RAL7021
- C2** RAL2004
- C3** RAL7035
- C4** RAL1021
- C5** RAL5024
- C6** RAL3000

EGK.SOFT

Code	Description	D	dH7	L	l	d1	d2	d3	d4	d5	h	h1	h2	f	R	⚖
215161-*	EGK.50 A-10-*	50	10	38	3.5	22	28	40	4.2	43	22	12	14	4	15	95
215181-*	EGK.63 A-12-*	63	12	44	3.5	26	42	49.5	6.2	55	30	9	16	5	19	185

EGK.SOFT-SST



Code	Description	D	dH7	L	l	d1	d2	d3	d4	d5	h	h1	h2	f	R	⚖
215189-*	EGK.50-SST-6-*	50	6	38	3.5	22	28	40	4.2	43	22	12	14	4	15	100
215191-*	EGK.50-SST-8-*	50	8	38	3.5	22	28	40	4.2	43	22	12	14	4	15	97
215196-*	EGK.63-SST-10-*	63	10	44	3.5	26	42	49.5	6.2	55	30	9	16	5	19	180

