

**MATERIAL**

Glass-fibre reinforced polyamide based (PA) technopolymer, grey-black colour, matte finish.

**CAP**

Technopolymer in Ergostyle colours, glossy finish; supplied with the handle, press-fit assembly, removable by a screwdriver.

Available also as accessories sold separately (see table ECO.).

Code	Description
29864-*	ECO.S4-*

\* Complete with colour index (C1, ..., C6).

**STANDARD EXECUTIONS**

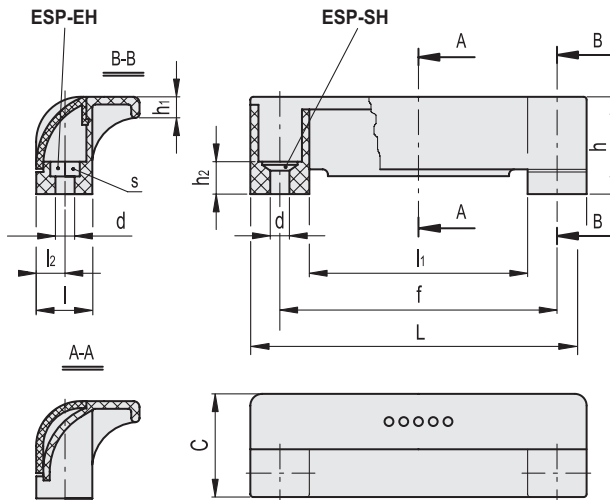
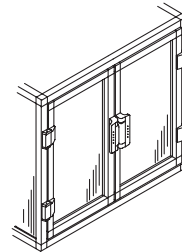
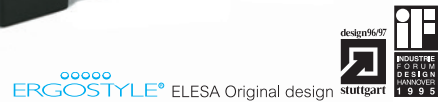
- **ESP-EH:** pass-through holes for cylindrical-head screws with hexagon socket, hexagonal-head screws or standard lock nuts.
- **ESP-SH:** pass-through holes for countersunk head screws.

**FEATURES AND APPLICATIONS**

Handles have been especially designed to fit machine guards or automation systems with double-leaf door. The special closed design of the handle represents a safety element for the operator's fingers. Moreover, the coloured cover improves the visibility of the handle and offers the possibility of product customisation.

**TECHNICAL DATA**

Tensile stress: F1 value reported in the table is the result of breaking tests carried out with an appropriate dynamometric equipment under the test conditions shown in the figure with ambient temperature.



\* Complete with colour index, example: 265111-C1 ESP.110-EH-C1  
 C1 RAL7021 C2 RAL2004 C3 RAL7035 C4 RAL1021 C5 RAL5024 C6 RAL3000

Code	Description	L	f	d	s	h	h1	h2	C	l	l1	l2	F1 [N]	⚖️
265111-*	ESP.110-EH-*	114	93.5±0.5	6.5	10	33	7	11	35	19	74	9.5	90	33
265151-*	ESP.110-SH-*	114	93.5±0.5	6.5	-	33	7	11	35	19	74	9.5	90	33