

**MATERIAL**

Glass-fibre reinforced polyamide based (PA) technopolymer, black colour, matte finish.

**CLOSING CAP**

Polypropylene based (PP) technopolymer, orange or black colour, glossy finish with matte central surface, snap-in mounting.

**STANDARD EXECUTIONS**

- **VTL-B:** brass boss, threaded blind hole.
- **VTL-p:** zinc-plated steel threaded stud, chamfered flat end according to UNI 947: ISO 4753 (see Technical data on page A-11).

**FEATURES AND APPLICATIONS**

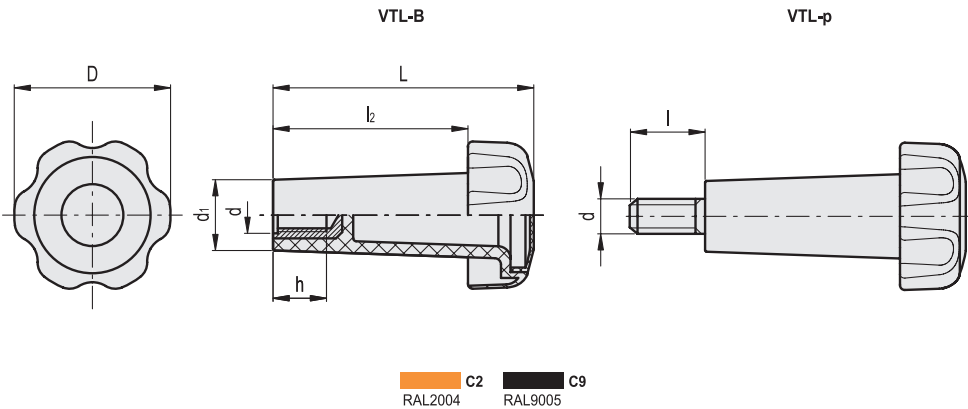
The long cone-shaped body of this knob is especially designed to clamp elements placed at a distance from the operator or in difficult to access places.

**SPECIAL EXECUTIONS ON REQUEST**

On the surface of the closing cap words, marks, graphic symbols, etc... can be tamperprinted in colours.



FMM design



VTL-B								
Code	Description	D	d6H	L	d1	l2	h	⚖
182222	VTL.50/80 B-M10-C2	50	M10	82	22.5	62	17	48
182223	VTL.50/80 B-M10-C9	50	M10	82	22.5	62	17	48

VTL-p								
Code	Description	D	d6g	L	d1	l	l2	⚖
182232	VTL.50/80 p-M10x20-C2	50	M10	82	22.5	20	62	60
182233	VTL.50/80 p-M10x20-C9	50	M10	82	22.5	20	62	60
182238	VTL.50/80 p-M10x50-C2	50	M10	82	22.5	50	62	75
182239	VTL.50/80 p-M10x50-C9	50	M10	82	22.5	50	62	75



Clamping knobs