

- 1
- 2
- 3
- 4
- 5
- 6
- 7
- 8
- 9
- 10
- 11
- 12
- 13
- 14
- 15

LOBE SOLID CAP AND CENTRE CAP

Glass-fibre reinforced polyamide based (PA) technopolymer, black colour, matte finish, with slot for codified key.

FLANGE

Technopolymer, ultrasonically welded.

CLAMPING ELEMENT

Special glass-fibre reinforced polyamide based (PA) SUPER-technopolymer, black colour, matte finish.

STANDARD EXECUTIONS

- **VLSK-B**: brass boss, threaded pass-through hole, with cap.
- **VLSK-FP**: brass boss, threaded pass-through hole, without cap.
- **VLSK-p**: zinc-plated steel threaded stud, chamfered flat end UNI 947 : ISO 4753 (see Technical data on page A-11), with closing cap.

LOCK AND KEYS

Die cast zinc alloy rotor and stator.

The lock has got a red protection tab for closing the lock when the key is not inserted.

Two keys made out of nickel-plated brass and technopolymer.

210 different combinations; each lock has got one pair of keys, removable in two positions at 180°.

SECURITY DEVICE OPERATION

VLSK security lobe knob has been designed to prevent its unscrewing by unauthorised people. Therefore, it has got a vandal-proof function as well.

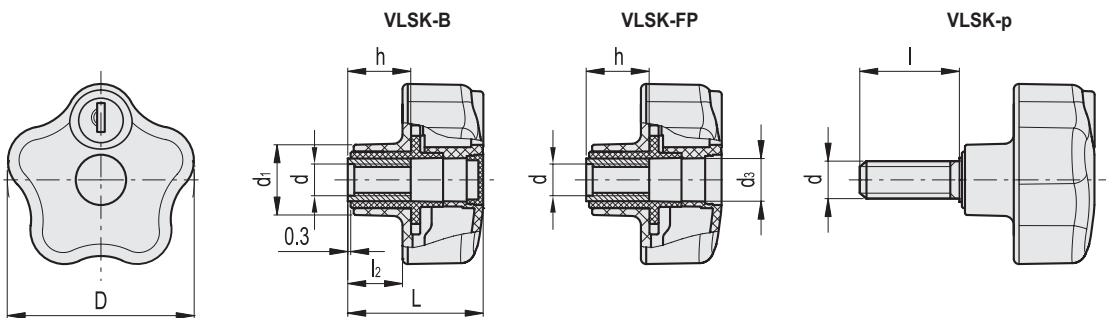
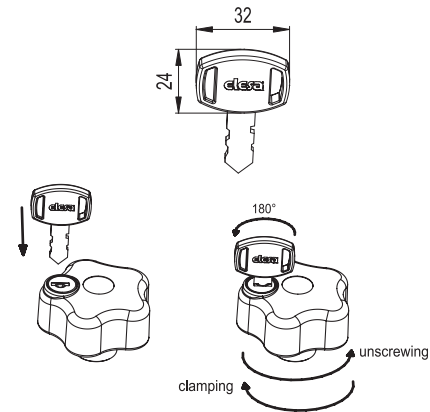
For clamping and unscrewing the knob, insert the special key into the lock and turn it by 180°. By so doing the clamping element and the knob form a single body. When the lock is brought back to the starting position and the key is removed, the knob turns freely preventing the unscrewing.

FEATURES AND APPLICATIONS

The particular design of the internal device and of the flange helps the drainage of any dirt (dust, earth or liquid).



ELESA Original design



VLSK-B

Code	Description	D	d6H	L	d1	l2	h	ΔΔ
76701	VLSK.63 B-M6	63	M6	44	23	17	18	95
76702	VLSK.63 B-M8	63	M8	44	23	17	18	94
76703	VLSK.63 B-M10	63	M10	44	23	17	20	93

VLSK-FP

Code	Description	D	d6H	L	d1	d3	l2	h	ΔΔ
76711	VLSK.63 FP-M6	63	M6	44	23	14	17	18	95
76712	VLSK.63 FP-M8	63	M8	44	23	14	17	18	94
76713	VLSK.63 FP-M10	63	M10	44	23	14	17	20	93

VLSK-p

Code	Description	D	d6g	L	d1	l	l2	ΔΔ
76731	VLSK.63 p-M8x20	63	M8	44	23	20	17	106
76741	VLSK.63 p-M10x20	63	M10	44	23	20	17	107