

ME. | Balanced crank handles

Duroplast



MATERIAL

Reinforced phenolic based (PF) Duroplast. Polyamide based (PA) technopolymer for ME.95, black colour, glossy finish.
Balancing by means of an incorporated counterweight.

FRONT PLATE

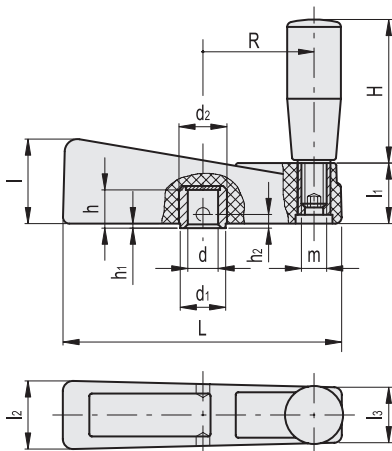
Matte anodised aluminium (ELESA original design).

STANDARD EXECUTION

Black-oxide steel boss, H7 reamed hole.
Reamed hole provided with centres already drilled for pinning to shaft.
Use pins with smaller diameter than the one of the already drilled hole to avoid local stress.
Revolving handle I.301+x (see page 405) in Duroplast.



ELESA Original design



Code	Description	dH7	L	d1	d2	l	l1	l2	l3	h	h1	h2	H	m	R	△
38001	ME.65	8	65	13	14	23	18	22	19	13	1.5	6.5	40	M6	23	93
38101	ME.80	10	80	14	15	26	20	24	20	16	1.5	8	40	M6	30	102
38201	ME.95	10	94	14	15	29	22	26	22	19	1.5	8	50	M8	36	133
38301	ME.110	12	110	18	19	34	24	28	22	17.5	1.5	9	65	M10	44	260
38401	ME.140	12	140	18	19	37	26	30	24	17.5	1.5	9	80	M10	57	335



Operating elements