

- 1
- 2
- 3
- 4
- 5
- 6
- 7
- 8
- 9
- 10
- 11
- 12
- 13
- 14
- 15
- RH

**MATERIAL**

Glass-fibre reinforced polyamide based (PA) technopolymer, black colour, matte finish.

**BOSS CAP**

Acetal resin based technopolymer (POM), black colour, matte finish; press-fit assembly.

**RING**

Matte anodised aluminium.  
(ELESA Original design - Reg. U.S. Pat. & TM Off.)

**STANDARD EXECUTIONS**

- Black-oxide steel boss, H7 reamed hole.
- **VDT.**: without handle.
- **VDT+I**: with revolving handle I.621+x (see page 406) in technopolymer.
- **VDT+IR**: with fold-away handle IR.620 (see page 414) in technopolymer.

**ACCESSORIES ON REQUEST**

Axial retaining washer GN 184 (see page 677).

**SPECIAL EXECUTIONS ON REQUEST**

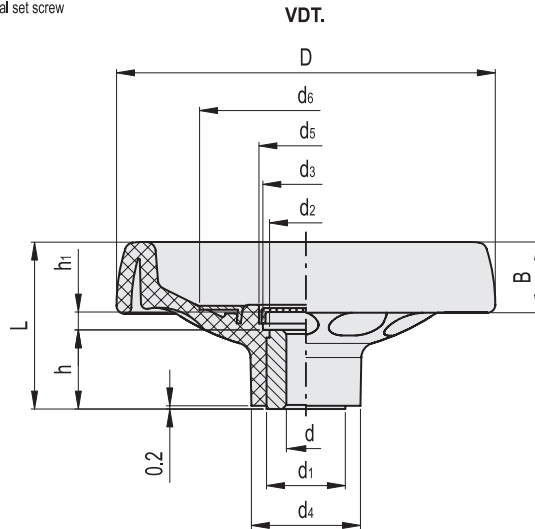
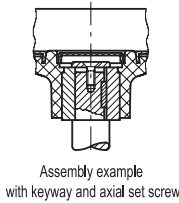
Bosses with hole and keyway in compliance with DIN 6885/1 tolerance P9 (see page A-16).  
To order the handwheel with keyway add the index -K after the code and the description (i.e. 170307-K VDT.100 A-10-K).

**ERGONOMY**

The rim with internal rear scallops makes the grip and the manoeuvre of the handwheel easier.



ELESA Original design 2003



**VDT.**

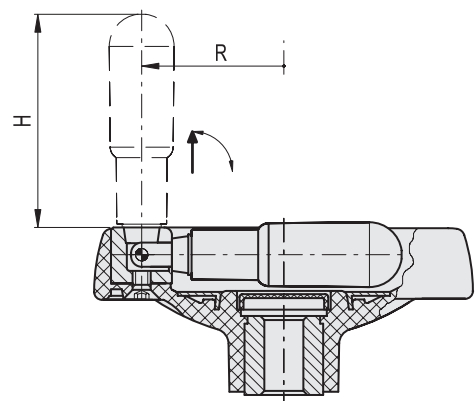
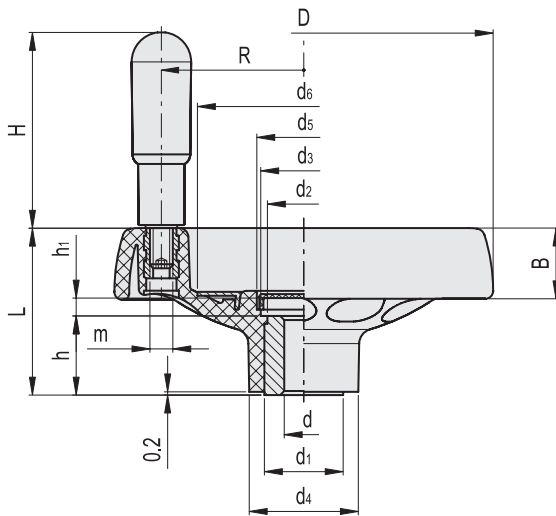
Code	Description	D	dh7	L	B	d1	d2	d3	d4	d5	d6	h	h1	C# [Nm]	L# [J]	
170307	VDT.100 A-10	100	10	49	22	22	20	26	32	28	54	22	5.5	180	21	155
170505	VDT.125 A-12	125	12	57	24	26	24	28	36	31	70	27	7	200	23	285
170707	VDT.160 A-14	160	14	64	27	35	33	38	46	40	90	28	11	400	25	505
170907	VDT.200 A-20	200	20	68	30	40	38	50	51	52	110	31	9	600	35	730

112 # For maximum torque (C) and impact strength (L) see Technical data on page A-3.



VDT+I

VDT+IR



VDT+I

Code	Description	D	dH7	L	B	d1	d2	d3	d4	d5	d6	h	h1	H	m	R	C# [Nm]	L# [J]	⚖️
170317	VDT.100+I A-10	100	10	49	22	22	20	26	32	28	54	22	5.5	60	M6	37	180	21	185
170515	VDT.125+I A-12	125	12	57	24	26	24	28	36	31	70	27	7	65	M8	47	200	23	355
170717	VDT.160+I A-14	160	14	64	27	35	33	38	46	40	90	28	11	80	M8	62	400	25	585
170917	VDT.200+I A-20	200	20	68	30	40	38	50	51	52	110	31	9	90	M10	78	600	35	820

VDT+IR

Code	Description	D	dH7	L	B	d1	d2	d3	d4	d5	d6	h	h1	H	R	C# [Nm]	L# [J]	⚖️
170327	VDT.100+IR A-10	100	10	49	22	22	20	26	32	28	54	22	5.5	60	37	180	21	195
170525	VDT.125+IR A-12	125	12	57	24	26	24	28	36	31	70	27	7	65	47	200	23	365
170727	VDT.160+IR A-14	160	14	64	27	35	33	38	46	40	90	28	11	80	62	400	25	600
170927	VDT.200+IR A-20	200	20	68	30	40	38	50	51	52	110	31	9	90	78	600	35	875

# For maximum torque (C) and impact strength (L) see Technical data on page A-3.