

- 2 Type**
B with rubber stop
- 3 Identification no.**
2 Fastening using countersunk holes

1

I ₁	I ₂ Stroke	I ₃	F _S per pair in N	
			at 10,000 cycles	at 100,000 cycles
300	285	585	940	640
350	350	700	960	730
400	400	800	970	770
450	450	900	1100	880
500	500	1000	1190	900

1

I ₁	I ₂ ⁺⁴ Stroke	I ₃	F _S per pair in N	
			at 10,000 cycles	at 100,000 cycles
550	550	1100	1180	980
600	600	1200	1230	990
700	700	1400	1290	1030
800	800	1600	1210	1060

Specification

- Slide profile
Steel, zinc plated, blue passivated **ZB**
- Bearings
Roller bearing steel, hardened
- Ball cage
Steel, zinc plated
- Rubber stop
Plastic / Elastomer
- Self-retracting mechanism
Stainless Steel / Plastic
- Operating temperature -20 °C to 100 °C
- **RoHS compliant**

On request

- other lengths and hole spacing
- other attachment options
- with locking device (front)
- other surfaces
- with support bracket

4

Information

Telescopic slides with self-retracting mechanism GN 1422 are installed vertically and in pairs. The stroke reaches ≈ 100 % of the nominal length I₁ (full extension).

The telescopic slides are delivered in **pairs**. They can be installed on the extension on either the left or right side due to the mechanics. All mounting holes are easy to reach through auxiliary holes. Only the mounting holes are shown, but other production-related holes may be present.

see also...

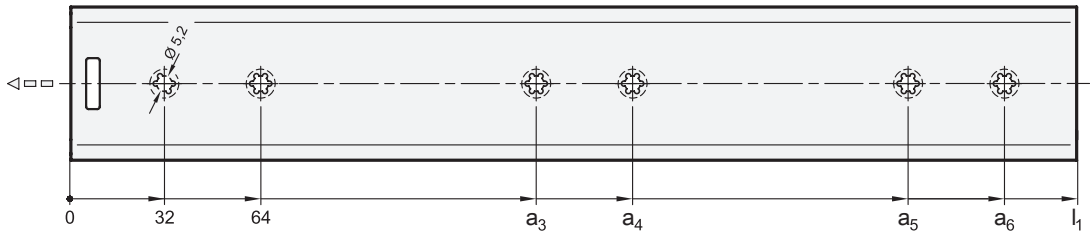
- *Technical information on telescopic slides* → Page 44 ff.
- *Telescopic slides GN 1432 (with self-retracting mechanism)* → Page 30
- *Telescopic slides GN 1424 (with dampened self-retracting mechanism)* → Page 23

How to order

GN 1422-350-B-2-ZB

1	I ₁
2	Type
3	Identification no.
4	Finish

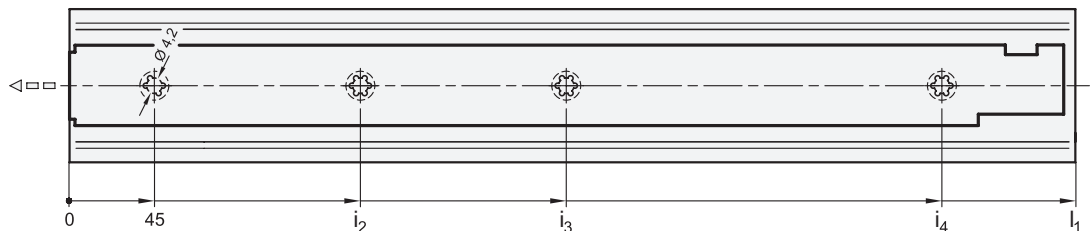
Mounting holes - outer slide



1

l_1	a_3	a_4	a_5	a_6
300	192	224	-	-
350	192	224	-	-
400	224	256	-	-
450	288	320	-	-
500	320	352	-	-
550	352	384	-	-
600	416	448	-	-
700	448	480	-	-
800	384	416	672	704

Mounting holes - inner slide



1

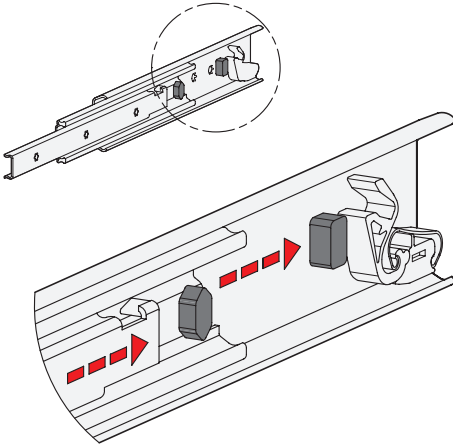
l_1	i_2	i_3	i_4
300	141	237	-
350	173	301	-
400	173	333	-
450	205	397	-
500	237	461	-
550	269	493	-
600	173	301	557
700	173	333	653
800	205	397	749

Fastening screws

For the said loading forces F_S to be absorbed reliably in the surrounding structure, all available countersunk holes of the outer and inner slide must be used. Failure to use fastening screws reduces the specified load capacity accordingly. The following screws can be used for mounting:

Designation - standard		Outer slide	Inner slide
Hexagon socket countersunk head screw	DIN 7991	M 5	M 4
Countersunk screw, Phillips	DIN 965	M 5	M 4
Countersunk screw, Phillips	DIN 7997	Size 5	Size 4 / 4,5

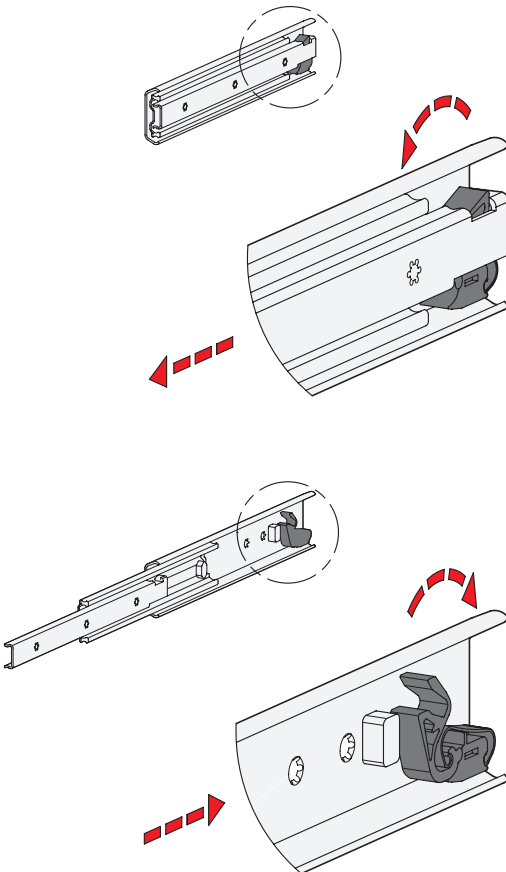
Rubber stop



The rubber stops of type B dampen the impact of the slide in the respective end position. This feature minimizes noise development and increases the lifespan. Attached to the slides in a partially concealed, partially visible manner, the stops meet each of the requirements in regard to shape, material, and hardness.

If larger static or dynamic loads occur in the direction of extension, they should be absorbed by external stop elements.

Self-retracting mechanism



Telescopic slides GN 1422 have an integrated self-retracting mechanism, which improves considerably the ease of use when closing the extensions.

The slides are retracted and held in the back end position automatically by means of a retraction mechanism on the last 22 mm of stroke with a force of approximately 30 newtons for each slide pair. This force has to be overcome accordingly on opening the extension.

The self-retracting mechanism is also designed in such a way that it uncouples and will not be damaged when the extension is opened or closed in a jerky manner or too quickly. On the following stroke, the self-retracting mechanism clicks back into place automatically, ensuring that the function remains intact.