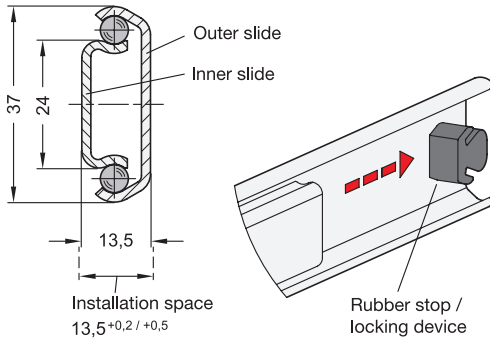


2 Type

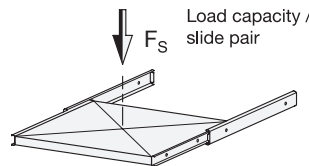
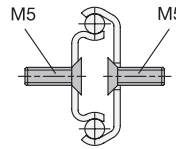
E with rubber stop, locking device in back

3 Identification no.

3 Fastening using through-holes on external slide and countersunk holes on inner slide



Fastening screws



1

l_1	l_2 ⁺² / ₋₂ Stroke	l_3	F_S per pair in N	
			at 10,000 cycles	at 100,000 cycles
300	205	490	780	600
350	239	574	630	490
400	289	674	540	420
450	339	774	460	360

1

l_1	l_2 ⁺² / ₋₂ Stroke	l_3	F_S per pair in N	
			at 10,000 cycles	at 100,000 cycles
500	373	858	540	420
600	457	1042	560	430
700	541	1226	560	430

Specification

4

- Slide profile
Steel, zinc plated, blue passivated **ZB**
- Bearings
Roller bearing steel, hardened
- Ball cage
Steel, zinc plated
- Rubber stop
Plastic / Elastomer
- Operating temperature -20 °C to 100 °C
- RoHS compliant

On request

- other lengths and hole spacing
- other attachment options
- with rubber stop (without locking device)
- other surfaces
- with support bracket
- retraction dampening, external

Information

Telescopic slides GN 1404 are installed vertically and in pairs. The stroke reaches $\approx 75\%$ of the nominal length l_1 (partial extension). The rubber stops of type E dampen the impact of the slide in the two end positions and takes on the locking function of the back stop position. This feature is noticeable through a slight resistance on opening and closing. If larger static or dynamic loads occur in the direction of extension, they should be absorbed by external stop elements.

The telescopic slides are delivered in **pairs**. They can be installed on the extension on either the left or right side due to the mechanics. All mounting holes are easy to reach without auxiliary holes. Only the mounting holes are shown, but other production-related holes may be present.

see also...

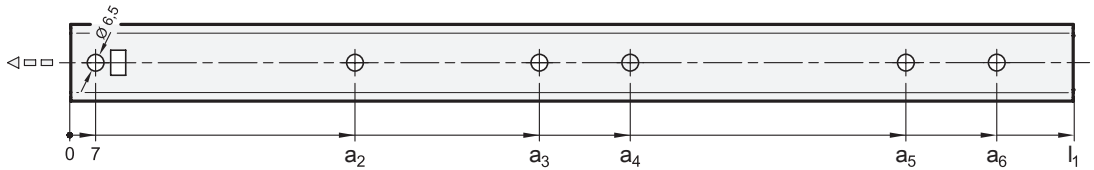
- Technical information on telescopic slides \rightarrow Page 44 ff.
- Telescopic slides (with full extension) \rightarrow Page 12 ff.

How to order

GN 1404-600-E-3-ZB

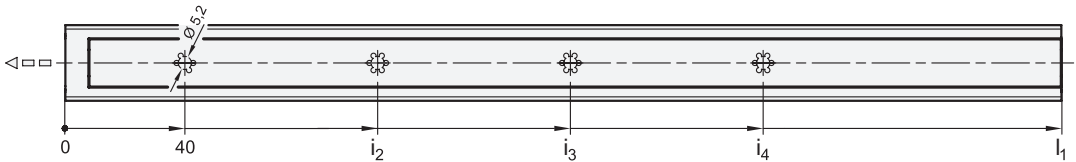
1	l_1
2	Type
3	Identification no.
4	Finish

Mounting holes - outer slide



l_1	a_2	a_3	a_4	a_5	a_6
300	135	199	231	-	-
350	135	231	263	-	-
400	135	295	327	-	-
450	135	327	359	-	-
500	167	295	327	391	423
600	167	359	391	487	519
700	199	391	423	583	615

Mounting holes - inner slide



l_1	i_2	i_3	i_4
300	72	136	168
350	104	168	200
400	104	200	264
450	104	200	296
500	136	232	328
600	168	296	424
700	168	328	520

Fastening screws

For the said loading forces F_3 to be absorbed reliably in the surrounding structure, all available through-holes and/or countersunk holes of the outer and inner slide must be used. Failure to use fastening screws reduces the specified load capacity accordingly. The following screws can be used for mounting:

Designation - standard		Outer slide	Inner slide
Countersunk screw, Phillips	DIN 965	M 5	M 5
Countersunk screw, Phillips	DIN 7997	Size 5	Size 4,5