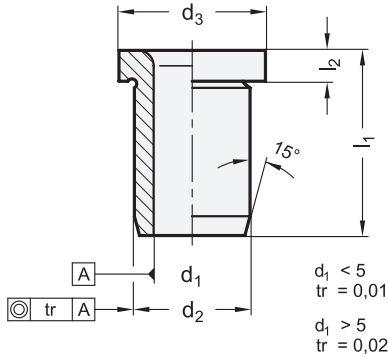
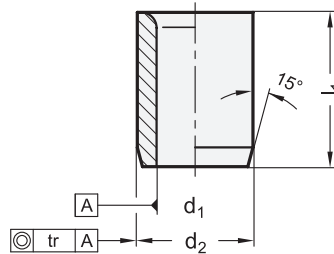


DIN 172 (with collar)



DIN 179 (without collar)



3 Type
A bore one-sided

| 1 | 2 | | | d ₂ n6 | d ₃ | l ₂ |
|--------------|------------------------|----------------|----|-------------------|----------------|----------------|
| | d ₁ F7 Bore | l ₁ | | | | |
| B 2 | 6 | 9 | - | 5 | 8 | 2 |
| B 2,1 | 6 | 9 | - | 5 | 8 | 2 |
| B 2,5 (M 3) | 6 | 9 | - | 5 | 8 | 2 |
| B 3 | 8 | 12 | 16 | 6 | 9 | 2,5 |
| B 3,1 | 8 | 12 | 16 | 6 | 9 | 2,5 |
| B 3,3 (M 4) | 8 | 12 | 16 | 6 | 9 | 2,5 |
| B 3,5 | 8 | 12 | 16 | 7 | 10 | 2,5 |
| B 3,8 | 8 | 12 | 16 | 7 | 10 | 2,5 |
| B 4 | 8 | 12 | 16 | 7 | 10 | 2,5 |
| B 4,1 | 8 | 12 | 16 | 8 | 11 | 2,5 |
| B 4,2 (M 5) | 8 | 12 | 16 | 8 | 11 | 2,5 |
| B 4,5 | 8 | 12 | 16 | 8 | 11 | 2,5 |
| B 4,8 | 8 | 12 | 16 | 8 | 11 | 2,5 |
| B 5 (M 6) | 8 | 12 | 16 | 8 | 11 | 2,5 |
| B 5,1 | 10 | 16 | 20 | 10 | 13 | 3 |
| B 5,5 | 10 | 16 | 20 | 10 | 13 | 3 |
| B 5,8 | 10 | 16 | 20 | 10 | 13 | 3 |
| B 6 | 10 | 16 | 20 | 10 | 13 | 3 |
| B 6,1 | 10 | 16 | 20 | 12 | 15 | 3 |
| B 6,5 | 10 | 16 | 20 | 12 | 15 | 3 |
| B 6,8 (M 8) | 10 | 16 | 20 | 12 | 15 | 3 |
| B 7 | 10 | 16 | 20 | 12 | 15 | 3 |
| B 7,5 | 10 | 16 | 20 | 12 | 15 | 3 |
| B 7,8 | 10 | 16 | 20 | 12 | 15 | 3 |
| B 8 | 10 | 16 | 20 | 12 | 15 | 3 |
| B 8,1 | 12 | 20 | 25 | 15 | 18 | 3 |
| B 8,5 (M 10) | 12 | 20 | 25 | 15 | 18 | 3 |
| B 9 | 12 | 20 | 25 | 15 | 18 | 3 |
| B 9,5 | 12 | 20 | 25 | 15 | 18 | 3 |
| B 9,8 | 12 | 20 | 25 | 15 | 18 | 3 |

| 1 | 2 | | | d ₂ n6 | d ₃ | l ₂ |
|---------------|------------------------|----------------|----|-------------------|----------------|----------------|
| | d ₁ F7 Bore | l ₁ | | | | |
| B 10 | 12 | 20 | 25 | 15 | 18 | 3 |
| B 10,1 | 12 | 20 | 25 | 18 | 22 | 4 |
| B 10,2 (M 12) | 12 | 20 | 25 | 18 | 22 | 4 |
| B 10,5 | 12 | 20 | 25 | 18 | 22 | 4 |
| B 11 | 12 | 20 | 25 | 18 | 22 | 4 |
| B 11,5 | 12 | 20 | 25 | 18 | 22 | 4 |
| B 11,8 | 12 | 20 | 25 | 18 | 22 | 4 |
| B 12 | 12 | 20 | 25 | 18 | 22 | 4 |
| B 12,1 | 16 | 28 | 36 | 22 | 26 | 4 |
| B 12,5 | 16 | 28 | 36 | 22 | 26 | 4 |
| B 13 (M 14) | 16 | 28 | 36 | 22 | 26 | 4 |
| B 13,5 | 16 | 28 | 36 | 22 | 26 | 4 |
| B 14 (M 16) | 16 | 28 | 36 | 22 | 26 | 4 |
| B 14,1 | 16 | 28 | 36 | 22 | 26 | 4 |
| B 14,5 | 16 | 28 | 36 | 22 | 26 | 4 |
| B 15 | 16 | 28 | 36 | 22 | 26 | 4 |
| B 15,5 | 16 | 28 | 36 | 26 | 30 | 4 |
| B 16 | 16 | 28 | 36 | 26 | 30 | 4 |
| B 16,1 | 16 | 28 | 36 | 26 | 30 | 4 |
| B 16,5 | 16 | 28 | 36 | 26 | 30 | 4 |
| B 17 | 16 | 28 | 36 | 26 | 30 | 4 |
| B 18 | 16 | 28 | 36 | 26 | 30 | 4 |
| B 19 | 20 | 36 | 45 | 30 | 34 | 5 |
| B 20 | 20 | 36 | 45 | 30 | 34 | 5 |
| B 22 | 20 | 36 | 45 | 30 | 34 | 5 |
| B 24 | 20 | 36 | 45 | 35 | 39 | 5 |
| B 25 | 20 | 36 | 45 | 35 | 39 | 5 |
| B 26 | 20 | 36 | 45 | 35 | 39 | 5 |
| B 28 | 25 | 45 | 56 | 42 | 46 | 5 |
| B 30 | 25 | 45 | 56 | 42 | 46 | 5 |



3.1

3.2

3.3

3.4

3.5

Specification

- Steel hardened (HRC 62 ±2)
- Fit sizes d_1 , d_2 ground
- ISO-Fundamental tolerances → Page 1479
- RoHS compliant

On request

- other bores d_1

Information

The dimensions listed in this standard sheet are merely a selection of the (currently withdrawn) DIN standards.

For applications involving positioning, we recommend the combination with the GN 771.1 guide pins.

For mounting bushings with tolerance n6, a hole with tolerance H7 corresponding to the external diameter is usually provided.

see also...

- Guide pins GN 771.1 → Page 832
- Indexing plungers GN 817.3 (for precision locating) → Page 680
- Indexing plungers GN 817.5 (for precision locating) → Page 681

3.6

3.7

3.8

3.9

| | | | |
|--|--|---|-------|
| How to order (with collar) | | 1 | d_1 |
| $\overset{1}{\color{red}\blacktriangledown}$ $\overset{2}{\color{red}\blacktriangledown}$ $\overset{3}{\color{red}\blacktriangledown}$ | | 2 | l_1 |
| DIN 172-B8,1-20-A | | 3 | Type |

| | | | |
|--|--|---|-------|
| How to order (without collar) | | 1 | d_1 |
| $\overset{1}{\color{red}\blacktriangledown}$ $\overset{2}{\color{red}\blacktriangledown}$ $\overset{3}{\color{red}\blacktriangledown}$ | | 2 | l_1 |
| DIN 179-B12-12-A | | 3 | Type |

