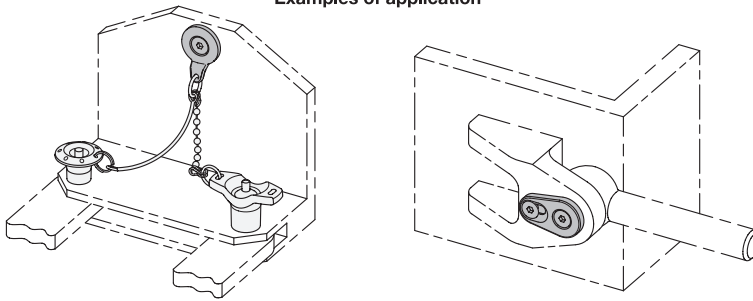


ROSTFREI
Inox
Stainless
Steel

4 Type
E with eyelet
L with mounting shackle

Examples of application



2

3

d ₁	d ₂	d ₃	d ₄	d ₅	h	l ₁	l ₂	l ₃	l ₄	l ₅	s ₁	s ₂	suitable key rings for type E
4,3	12	9,2	2,5	6	7	13,5	10,8	18	10	2	3	4	Ø14
4,3	15	9,2	2,5	6,3	7	15	12,3	21	11	4	3	4	Ø14
5,3	17	11,5	3	7,2	7	18,5	15	23	12	4	4	4,5	Ø14 / Ø18
5,3	22	11,5	3	7,5	9	21	17,5	28	15	6	4	4,5	Ø14 / Ø18
6,4	26	13,7	3,5	8,1	9	24	20,3	31	17	6	4	5	Ø14 / Ø18 / Ø24

Specification

- Stainless Steel
 - Type E: metal injection molded, AISI 316 LHC, ground
 - Type L: sintered AISI 316 LHC ground

• *Stainless Steel characteristics* → Page 1489

• **RoHS compliant**

Accessory

- Ball chains GN 111 / GN 111.5 → Page 876
- Retaining cables GN 111.2 → Page 877
- Spiral retaining cables GN 111.4 → Page 878
- Key rings GN 111.3 → Page 876

1

Information

NI

GN 2344 Stainless Steel-Retaining washers are universally usable standard parts. Type E is suitable for use in connection with retaining cables and ball chains to mount other standard or securing parts in order to prevent loss. Type L is suitable, for example, for mounting bolts or axes, which can thereby simultaneously be secured in an axial and also in a radial position.

see also...

- *List of lock pin types* → Page 746 ff.
- *Stainless Steel-Assembly pins GN 2342* → Page 760

How to order

GN 2344-NI-4,3-15-E

- 1 Material**
- 2 d₁**
- 3 d₂**
- 4 Type**