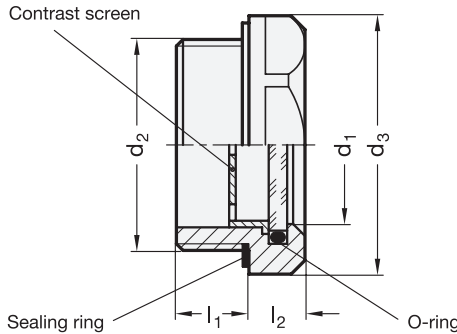
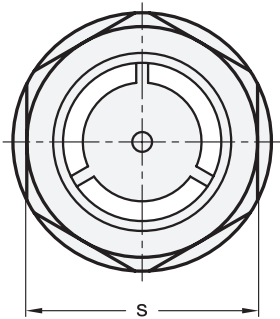


2.1  
2.2  
2.3  
2.4  
2.5  
2.6  
2.7  
2.8  
2.9



**3 Type**

- A with contrast screen
- B without contrast screen

**1**

**2**

d <sub>1</sub>	d <sub>2</sub>			d <sub>3</sub>	l <sub>1</sub>	l <sub>2</sub>	s
11	G 3/8	M 16 x 1,5	-	22	8	7,5	20
14	G 1/2	M 20 x 1,5	-	26	8,5	7,5	23
18	G 3/4	M 26 x 1,5	M 27 x 1,5	32	9	8	30
24	G 1	M 33 x 1,5	-	40	11	8,5	36

**Specification**

- Body  
Brass  
CuZn40Pb2
- Contrast screen  
Technopolymer (Polysulfon)
- **GN 743.2**  
- temperature resistant up to **100 °C**  
- Sight glass Float-glass  
- Sealing ring rubber NBR (Perbunan)
- **GN 743.3**  
- temperature resistant up to **180 °C**  
- Sight glass ESG-glass  
- Sealing ring rubber FPM (Viton®)  
Identification by not black finish of the sealing ring
- *Elastomer characteristics* → Page 1140
- **RoHS compliant**

**Accessory**

- Fixing nut GN 543.1 → Page 910

**On request**

- EPDM seal

**Information**

Oil level sight glasses GN 743.2 / GN 743.3 offer genuine glass of high stability and scratch proof. The sealing is achieved with an O-ring on the **periphery** and not on the face edge of the glass. Leak tightness is therefore not affected by axial pressures.

The outside diameter of these oil level sight glasses with recessed hexagon is chosen to match mounting holes for tube connections according to DIN 3852.

The seal is housed in a groove and it can therefore not be lost. In addition, this groove prevents the seal from being extruded when the sight glass is tightened.

Oil level sight glasses GN 743.2 / GN 743.3 can be used on pressurised oil tanks. Tests regarding maximum pressure are available on request.

**Assembly instruction:**

For mounting on walls of less than 4 mm thickness please use a fixing nut GN 543.1.

see also...

- *Stainless Steel-Oil level sight glasses GN 743.5* → Page 904
- *ATEX-Sight glasses GN 743.6* → Page 905

Oil level sight glass	1	d <sub>1</sub>
<b>GN 743.2-24-M33x1,5-A</b>	2	d <sub>2</sub>
	3	Type

Oil level sight glass	1	d <sub>1</sub>
<b>GN 743.3-18-G3/4-B</b>	2	d <sub>2</sub>
	3	Type