

- 1
- 2
- 3
- 4
- 5
- 6
- 7
- 8
- 9
- 10
- 11
- 12
- 13
- 14
- 15
- RH
-

MATERIAL

Polyamide based (PA) technopolymer, black colour.

STANDARD EXECUTIONS

- **RLT-MB**: bracket.
- **RLT-MS**: support.
- **RLT-MS-A12**: support with connecting rod and M6 cylindrical head screw with hexagon socket.

FEATURES AND APPLICATIONS

The bracket and the support facilitate the mounting of ELEROLL roller tracks on machines and other supporting structures.

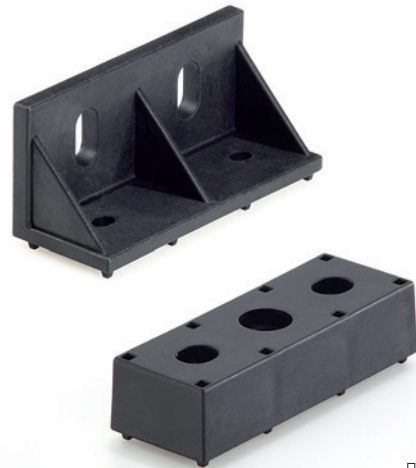
MOUNTING

The bracket and the support are equipped with dowels that are housed in the slots in the lower side of RLT-AL aluminum profiles (Fig. 1) and in special counterseats on the same support for the combination of more supporting elements (Fig. 2).

RLT-MB bracket is compatible with profiles having a slot of 8 mm width (Fig.4).

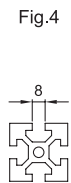
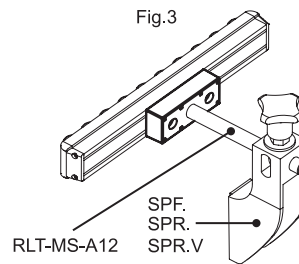
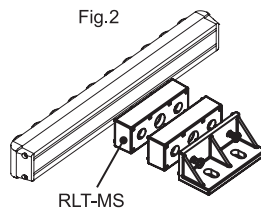
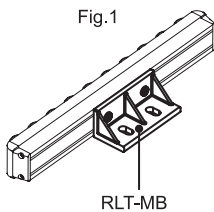
The bracket and the support allow to mount ELEROLL roller tracks in different configurations. Some examples are shown in Fig.1, Fig.2 and Fig.3.

* Trademark application



FMM design

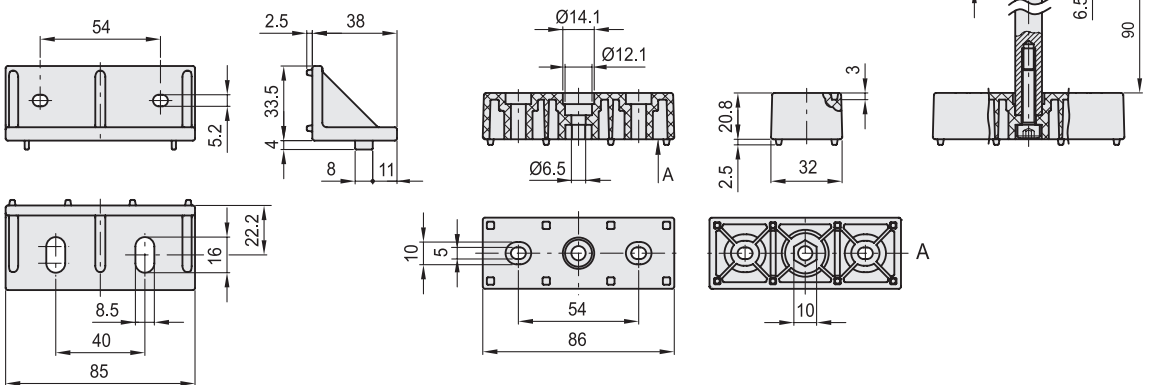
ele:roll®



RLT-MB

RLT-MS

RLT-MS-A12



RLT-MB

Code	Description	⚖️
429841	RLT-MB	35

RLT-MS

Code	Description	⚖️
429846	RLT-MS	49

RLT-MS-A12

Code	Description	⚖️
429848	RLT-MS-A12	145