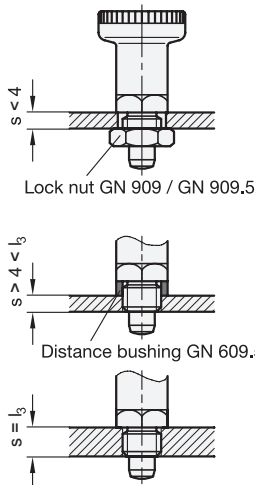
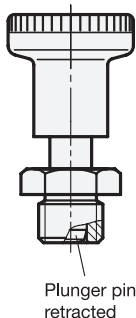
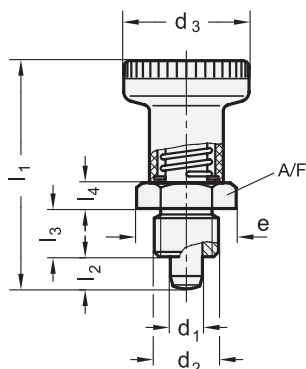


Assembly examples



2 Type
A without lock nut
AK with lock nut



d ₁ Pin $_{-0.02}^{-0.04}$ Bore H7	d ₂	d ₃	e ≈	l ₁	l ₂ ±0,5	l ₃ -0,15	l ₄	A/F	Spring load in N ≈				Axial load in N
									Steel		Stainless Steel		
									initial	end	initial	end	
6	M 12 x 1,5	25	19,6	45	6	10	5	17	7	8,5	18	22	400
8	M 16 x 1,5	31	21,9	54	8	12	6	19	14	15,5	24	28	500

Specification

- Steel **ST**
 - blackened
 - Plunger pin hardened
- Stainless Steel AISI 303 **NI**
 - Plunger pin chemically nickel plated
- Knob
 - Plastic (Polyamide PA)
 - black, matt
 - not removable
- Load rating information → Page 1463
- ISO-Fundamental tolerances → Page 1479
- Stainless Steel characteristics → Page 1489
- Plastic characteristics → Page 1483
- RoHS compliant



Information

Indexing plungers GN 607 are distinguished for their small dimension. The extremely low lock nuts GN 909 / GN 909.5 enlarge the mounting options.

see also...

- List of indexing plunger types → Page 640 ff.
- Stainless Steel-Distance bushings GN 609.5 (to limit the thread length) → Page 694
- Positioning bushings GN 412.2 → Page 696
- Flat hexagonal nuts GN 909 / GN 909.5 → Page 695
- Positioning bushings with ramping cone GN 412.3 → Page 697

How to order (Steel)

GN 607-8-AK-ST

- 1** d₁
- 2** Type
- 3** Material

How to order (Stainless Steel)

GN 607-6-AK-NI

- 1** d₁
- 2** Type
- 3** Material