

L.152 | Handles

Duroplast



MATERIAL

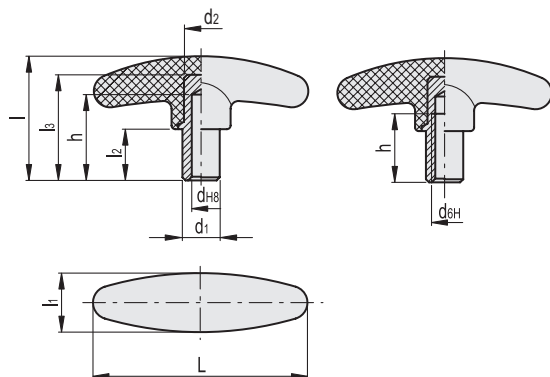
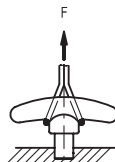
Phenolic based (PF) Duroplast handle, black colour, glossy finish.

STANDARD EXECUTION

Black-oxide steel hub, plain or threaded blind hole.

TECHNICAL DATA

Tensile stress: F values reported in the table are the result of breaking tests carried out with the appropriate dynamometric equipment under the test conditions shown in the figure with ambient temperature.



Code	Description	L	dH8	d6H	d1	d2	h	l	l1	l2	l3	F [N]	Δ
32101	L.152/70 A-6	69	6	-	12	11	25	40	19	16	34	2000	37
32111	L.152/70 A-M8	69	-	M8	12	11	20	40	19	16	34	2000	34
32201	L.152/80 A-6	79	6	-	16	13	25	44	22	18	36	2000	66
32211	L.152/80 A-M8	79	-	M8	16	13	20	44	22	18	36	2000	63
32301	L.152/95 A-6	95	6	-	18	15	30	50	26	19	41	4000	102
32303	L.152/95 A-10	95	10	-	18	15	30	50	26	19	41	4000	91
32311	L.152/95 A-M10	95	-	M10	18	15	25	50	26	19	41	4000	93



Fixed & revolving handles