

MATERIAL

Glass-fibre reinforced polypropylene based (PP) technopolymer, black colour, matte finish.

BOSS CAP

Polyester based technopolymer (PBT) in Ergostyle colours, glossy finish, press-fit mounting.

Available also as accessory sold separately (see table ECB.).

Code	Description	Boss cap for
29451-*	ECB.I3-*	ETK.401

* Complete with colour index (C1, ..., C6).

STANDARD EXECUTION

Black-oxide steel boss, H7 reamed hole.

Revolving handle I.631+x (see page 407) in technopolymer, not removable.

ACCESSORIES ON REQUEST

Axial retaining washer GN 184 (see page 677).

SPECIAL EXECUTIONS ON REQUEST

Bosses with hole and keyway in compliance with DIN 6885/1 (see page A-16).

To order the handwheel with keyway add the index -K after the code and the description (i.e. 207731-K- ETK.400+I A-20-K-).

For sufficient quantities: executions with locking device (Elesa patent), (see page 128).

ETK. three-arm handwheel can be customised with marks, logo or special graphics (tampo printing). The handwheels or handles can be supplied also in special coloured technopolymer.

ERGONOMY AND DESIGN

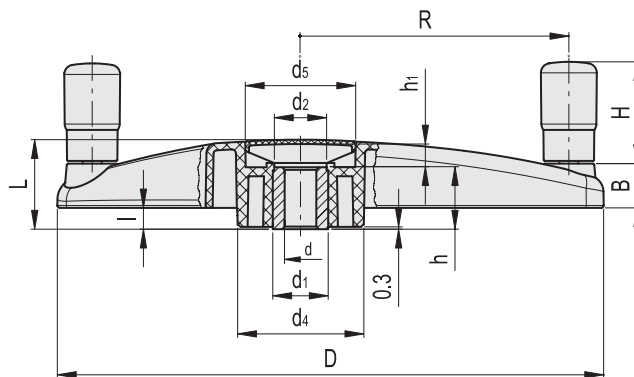
The three equidistant arms (120°) offer a perfect grip and the greatest operational easiness, also to disabled people. The rounded lines, the special compact and ergonomic shape of ETK. handwheel design together with the absence of cavities offer an excellent level of safety for hands during the steering operations.



ERGOSTYLE® ELESA Original design 2011



- 1
- 2
- 3
- 4
- 5
- 6
- 7
- 8
- 9
- 10
- 11
- 12
- 13
- 14
- 15
- RH



* Complete with colour index, example: 207731-C2 ETK.400+I A-20-C2

	C1		C2		C3		C4		C5		C6
	RAL7021		RAL2004		RAL7035		RAL1021		RAL5024		RAL3000

Code	Description	D	dH7	L	B	d1	d2	d4	d5	h	h1	I	H	R	C# [Nm]	L# [J]	
207731-*	ETK.400+I A-20-*	400	20	54	28	35	33	80	70	38	14	12	65	178	320	18	980

For maximum torque (C) and impact strength (L) see Technical data on page A-3.