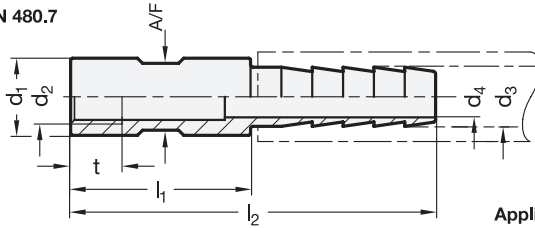
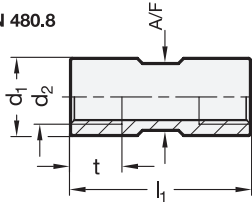


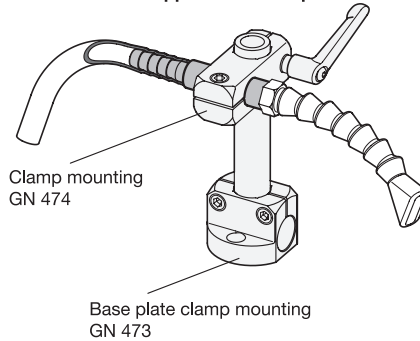
GN 480.7



GN 480.8



Application example



ROSTFREI
Inox
Stainless
Steel

1 d ₁ h ₉	2 d ₂ - t GN 480.7 Thread-Ø - Thread depth				2 d ₂ - t GN 480.8 Thread-Ø - Thread depth		3 d ₃	d ₄	l ₁	l ₂	A/F
D 10	M 5 - 8,5	M 6 - 10,5	-	-	M 5 - 8,5	-	4	2,5	30	48	8
D 10	M 5 - 8,5	M 6 - 10,5	-	-	M 6 - 10,5	-	6	4,5	30	57	8
D 12	M 7 - 11,5	M 8 x 1 - 10	-	-	M 7 - 11,5	-	6	4,5	30	57	10
D 12	M 7 - 11,5	M 8 x 1 - 10	-	-	M 8 x 1 - 10	-	9	7	30	63	10
D 15	M 10 x 1 - 10	-	G 1/8 - 8	-	M 10 x 1 - 10	G 1/8 - 8	9	7	35	68	13
D 15	M 10 x 1 - 10	-	G 1/8 - 8	-	-	-	10	8	35	71	13
D 16	M 12 x 1,5 - 14	-	G 1/8 - 8	-	M 12 x 1,5 - 14	G 1/8 - 8	10	8	35	71	14
D 16	M 12 x 1,5 - 14	-	-	-	-	-	12	9	35	71	14
D 16	-	-	G 1/8 - 8	-	-	-	12	8	35	71	14
D 20	M 16 x 1,5 - 15	-	G 3/8 - 12	G 1/4 - 12	M 16 x 1,5 - 15	G 3/8 - 12	12	9	40	76	18
D 20	M 16 x 1,5 - 15	-	G 3/8 - 12	G 1/4 - 12	-	G 1/4 - 12	16	12	40	76	18

Specification

- Stainless Steel
 - AISI 304
 - blank, unfinished
- *Stainless Steel characteristics* → Page 1144
- **RoHS compliant**

Information

GN 480.7 hose adapters and/or GN 480.8 thread adapters can attach e.g. air nozzles or coolant nozzles and their feed pipes with clamp mountings and hold them in position.

The d₂ / d₃ thread and barbed fitting diameters are compatible with the most common bolt and internal hose diameters. Hose lines are attached to the barbed fitting with suitable hose clamps, securing them against slipping off.

see also...

- *Base plate clamp mountings GN 473* → Page 1076

How to order (Hose adapter)		1	d ₁
1	2	3	d ₂
GN 480.7-D20-M12x1,5-16			d ₃

How to order (Thread adapter)		1	d ₁
1	2		d ₂
GN 480.8-D12-M12x1,5			