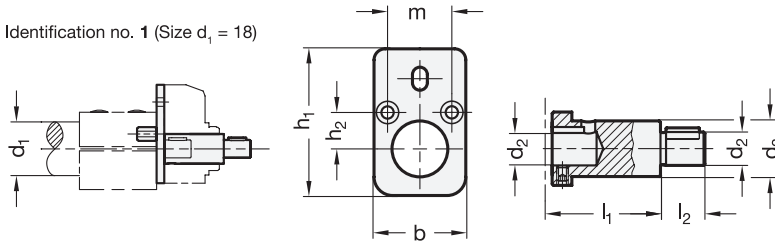
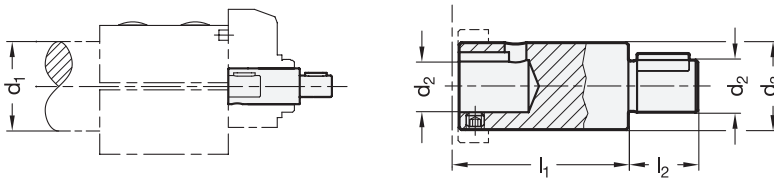


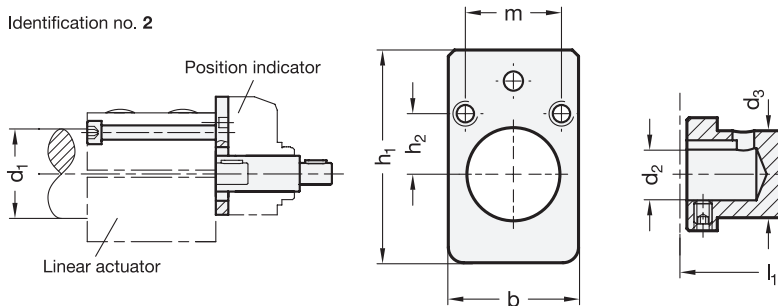
Identification no. 1 (Size $d_1 = 18$)



Identification no. 1 (Size $d_1 = 30...60$)



Identification no. 2



3 Identification no.

- 1 for mechanical position indicators GN 953 / GN 954 / GN 955
- 2 for electrical position indicators GN 9053 / GN 9054

1

2

d_1 Ø Linear actuator	d_2 f7	b	d_3	l_1		l_2	h_1	h_2	m	für position indicator
				Id. no. 1	Id. no. 2					
18	6	27	10	30	-	16	38,5	10	20	GN 955
30	8	40	14	35	44	15	54,5	15	30	GN 954 / GN 9054
40	12	50	20	39	51	16	72,5	19,5	39	GN 953 / GN 9053
50	12	60	20	39	51	17	72,5	23	46	GN 953 / GN 9053
60	14	70	20	39	51	18	72,5	27,5	55	GN 953 / GN 9053

Specification

- Adaptor shaft
Steel
blackened
- Torque support
Aluminum
black anodized
- RoHS compliant

Accessory

- Position indicators and handwheels have to be ordered separately.

Information

The installation kits GN 491.1 are required for the attachment of a position indicator to double tube linear actuators. They consist of an adaptor shaft and, depending on the position indicator, a torque support including fixing screws.

Mechanical position indicators GN 953 / GN 954 / GN 955 must be ordered so that the counter is aligned with the rising of the trapezoidal thread spindle.

For the position indicators GN 9053 / GN 9054 the respective rising is set at the position indicator for every programming.

see also...

- Position indicators GN 953 / GN 954 / GN 955 → Page XYZ
- Position indicators GN 9053 / GN 9054 → Page XYZ

How to order GN 491.1-30-8-1	1	d_1 (Ø Linear actuator)
	2	d_2
	3	Identification No.