

3 Type

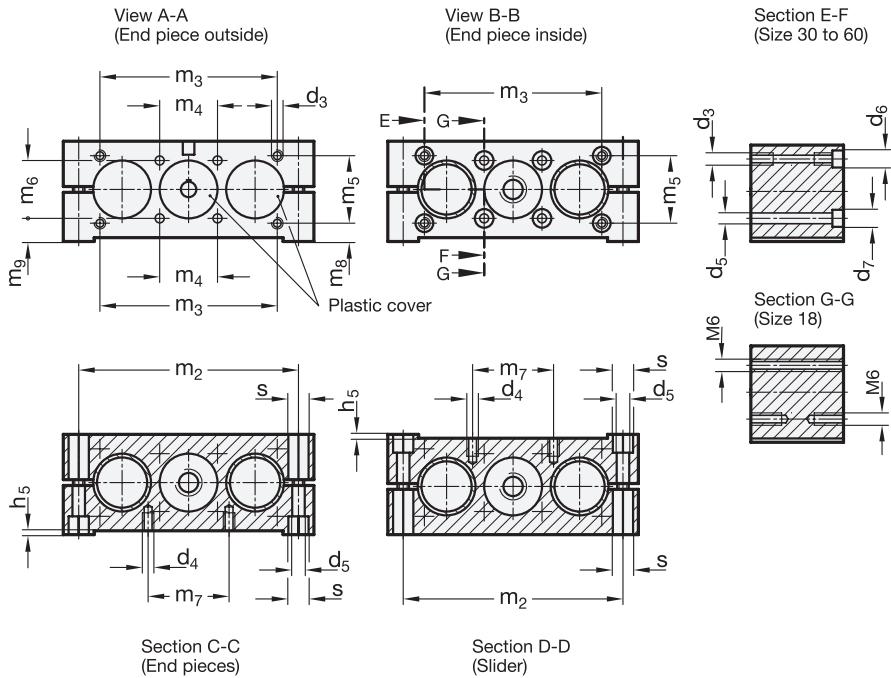
- R1** Right hand thread, single shaft end
- R2*** Right hand thread, two shaft ends
- L1*** Left hand thread, single shaft end
- L2*** Left hand thread, two shaft ends

d_1	l_1 Travel (Adjustable stroke of the slider) Standard length					Shaft thread	b	d_2	d_3^{**}	d_4^{***}	d_5	d_6	for screw DIN 912
18	100	150	200	250	420	TR10x3	28	6	-	M 5	5,3	-	-
30	100	150	200	300	1500	TR14x4	50	8	M 6	M 6	6,5	9	M 5
40	100	150	200	300	2650	TR20x4	60	12	M 8	M 8	8,5	13,5	M 6
50	100	150	200	300	2760	TR20x4	72	12	M 10	M 8	8,5	13,5	M 8
60	300	400	500	-	2740	TR25x5	80	14	M 10	M 10	10,5	13,5	M 8

d_1	d_7	for screw DIN 912	h_1	h_2	h_3	h_4	h_5	l_2 Total length	l_3	l_4	m_1	m_2	m_3	m_4
18	-	-	28	29	1	14,5	0,75	$3xb+l_1$	81	16	$2xb+l_1$	68	-	20
30	10,5	M 6	52	54	2	27	0,85	$3xb+l_1$	130	16	$2xb+l_1$	114	92	30
40	13,5	M 8	60	63	3	31,5	1,05	$3xb+l_1$	180	17	$2xb+l_1$	160	132	39
50	13,5	M 8	72	76	4	38	1,2	$3xb+l_1$	206	18	$2xb+l_1$	184	150	46
60	16,5	M 10	86	88	2	44	1,35	$3xb+l_1$	240	19	$2xb+l_1$	216	185	55

d_1	m_5	m_6	m_7	m_8	m_9	s Hexagon	Key DIN 6885	Installation kit	Position indicator		Handwheel
18	-	20	18	-	4,5	8	A2x2x12	GN 491.1	GN 955	-	GN 923.18
30	35	30	42	9,5	12	10	A2x2x12	GN 491.1	GN 954	GN 9054	GN 923.30
40	38	39	62	12,5	12	13	A4x4x12	GN 491.1	GN 953	GN 9053	GN 924.40
50	50	46	62	13	15	13	A4x4x12	GN 491.1	GN 953	GN 9053	GN 924.50
60	60	55	74	14	16,5	17	A5x5x16	GN 491.1	GN 953	GN 9053	GN 924.60

*** usable depth of thread min. $1,5 \times d_4$ ** usable depth of thread from both sides min. $2 \times d_3$ * normally not available from stock



Specification

- Guide tube DIN 2391
Steel, chrome-plated
- End pieces / Slider
Aluminium
- plastic coated
black, RAL 9005, textured finish
- Fixing surface / mounting surface
machined, blank
- Spindle with trapezoidal thread
- Steel, blank
- with ball-bearing
- Positioning accuracy $\pm 0,2$ mm/300 mm travel
- Follower nut, gun metal
- Cylinder head screws DIN 912 /
Hexagon nuts DIN 985
Steel, zinc plated
- RoHS compliant



SCR

Information

In addition to the standard travel lengths specified in the above table for the double tube linear actuator GN 491 any length inside the maximum length is available.

In order to measure the movement and positioning of the sliders, digital position indicators can be added.

see also...

- *Technical information / load data* → Page 1042
- *Double tube linear actuators GN 492 (with double slider)* → Page 1044
- *Handwheels for linear actuators* → Page 1062
- *Position indicators GN 953 / GN 954* → Page 388 / 389
- *Position indicators GN 9053 / GN 9054* → New products

Accessory

- Mounting kits GN 491.1
(for position indicators) → *New products*

How to order

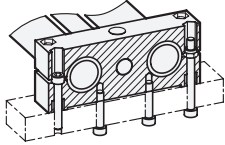
1	d_1
2	l_1
3	Type
4	Material

GN 491-30-200-R1-SCR

Mounting facilities of the end pieces

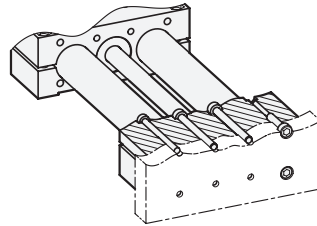
Horizontal

with screws for thread d_4 or bore d_5



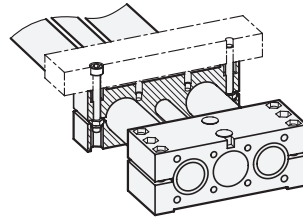
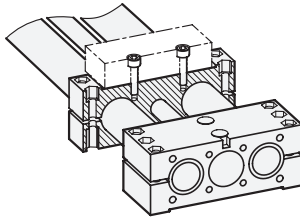
Vertical

From outside, with screws for thread d_3
 From inside, with screws for bore d_6
 From inside, with screws for bore d_5 / d_7



Mounting facilities at the slider

Mounting with screws
 for thread d_4 or bore d_5



Assembly of position indicator and handwheel

Usage of installation kit with
 position indicator and handwheel see table

