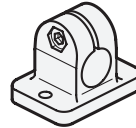
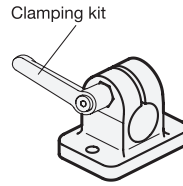
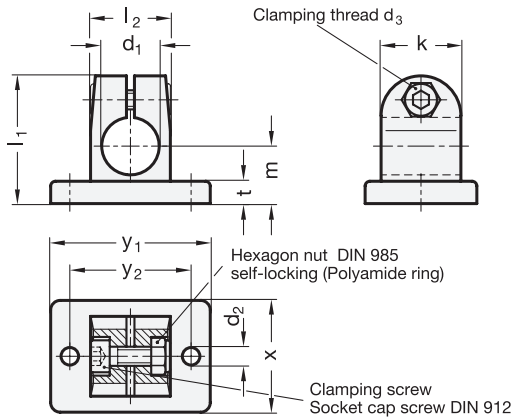


GN 145

Aluminum / Stainless Steel

Flanged connector clamps

with 2 mounting holes



2 Identification No.

2 with one Stainless Steel-Clamping screw DIN 912



d ₁ Bohrung B	Aluminum Stainless Steel	d ₂	d ₃ Clamping screw	k Clamping length	l ₁	l ₂	m	t	x	y ₁	y ₂	Clamping kit for d ₃	
												Lever Zinc die casting	Lever Stainless Steel
B 10	-	5,5	M6	25	40	25	18	7	35	50	38	GN 911-M6-22	GN 911.3-M6-22
B 12	B 12	5,5	M6	25	40	25	18	7	35	50	38	GN 911-M6-22	GN 911.3-M6-22
B 14	B 14	5,5	M6	25	40	25	18	7	35	50	38	GN 911-M6-22	GN 911.3-M6-22
B 15	B 15	5,5	M6	25	40	25	18	7	35	50	38	GN 911-M6-22	GN 911.3-M6-22
B 16	B 16	5,5	M6	25	40	25	18	7	35	50	38	GN 911-M6-22	GN 911.3-M6-22
B 18	B 18	5,5	M6	25	40	25	18	7	35	50	38	GN 911-M6-22	GN 911.3-M6-22
-	B 20	5,5	M6	25	40	25	18	7	35	50	38	GN 911-M6-22	GN 911.3-M6-22

Specification

- Aluminum
 - plastic coated black, RAL 9005, textured finish **SW**
 - blank matt shot-blasted **BL**
- Stainless Steel AISI CF-8 **NI**
matt matt shot-blasted
- Clamping bores mechanically machined
- Socket cap screws DIN 912
Stainless Steel AISI 304
- Hexagon nuts DIN 985
Stainless Steel AISI 304
- Stainless Steel characteristics → Page 334
- RoHS compliant

Accessory

- Clamping kits GN 911 / GN 911.3
→ Page 1031



Information

The clamping bores of GN 145 flanged connector clamps are mechanically machined and designed for construction tubes GN 990 or DIN 2391, DIN 2395 and DIN 2462 respectively.

GN 145 flanged connector clamps are also suitable for mounting on **profile systems**.

The standard version of the clamping screw is a socket cap screw with hexagonal socket DIN 912. It can be replaced by a clamping kit GN 911 / GN 911.3 (article code see table of dimensions).

see also...

- Foot clamp mountings GN 473 → Page 1076
- Construction tubes GN 990 → Page 1027
- Retaining tubes / Retaining rods GN 480.1 → Page XYZ
- Flanged linear actuator connector GN 145.1 → Page 1048
- Assembly sets for profile systems GN 965 → Page XYZ
- Assembly sets for profile systems GN 968 → Page XYZ

How to order (Aluminum)

GN 145-B14-2-SW

1	d ₁
2	Identification No.
3	Finish

How to order (Stainless Steel)

GN 145-B12-2-NI

1	d ₁
2	Identification No.
3	Material