

HANDLE

Glass-fibre reinforced polyamide based (PA) technopolymer, black colour, matte finish.

BASE

Nickel-plated zamac.

PACKING RING

Silicon directly applied under the handle base.

HANDLE SHANK

Chrome-plated zinc alloy with NBR synthetic rubber O-ring.

ROD CONTROL

Chrome-plated zinc alloy.

STANDARD EXECUTIONS

European style stator.

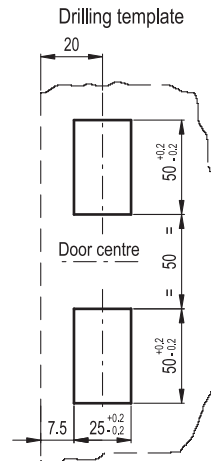
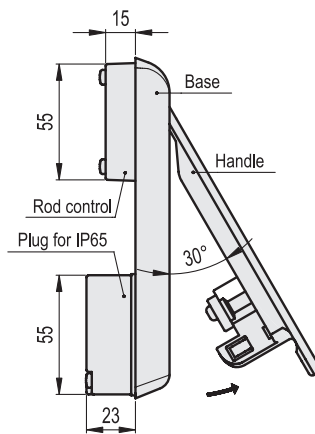
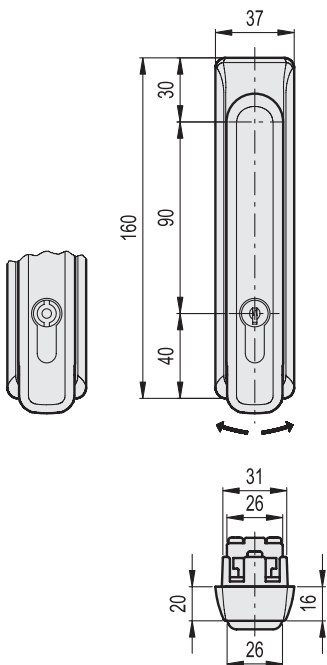
- **CLC-EU.**: lock with different combinations. Each lock has two nickel-plated brass keys, with different combination, removable at 180°.
- **CLCU-EU.**: lock with one combination. All locks have a couple of keys in nickel-plated brass and the same combination which can be opened with the same key removable at 180°.
- **CLCA-EU.**: lock with two-wing groove and technopolymer key with zamac insert supplied.

Index to add to the above mentioned executions:

- **IP.**: executions with protection plug and packing ring with IP 65 protection class, according to IEC 529 table IEC 529 (see page A-19), with two zinc-plated setting screws, supplied.

ACCESSORIES ON REQUEST

- One pair of black technopolymer rod guides.
- One pair of flat galvanised steel rods.
- One pair of zinc-alloy connecting bars.



CLC.

Code	Description	△
421111	CLC.160-EU	418
421121	CLC.160-EU-IP	430

CLCU.

Code	Description	△
421113	CLCU.160-EU	418
421123	CLCU.160-EU-IP	430

CLCA.

Code	Description	△
421115	CLCA.160-EU	416
421125	CLCA.160-EU-IP	428