

- 3 Type**
- A** without handle
- D** with revolving steel handle
- 4 Coding**
- ZI** engage by pulling
- DR** engage by pushing

1 2

d ₁	d ₂ H7 Bore with keyway		d ₃		d ₄ max.	l ₁		l ₂	l ₃		l ₄	r	w min.	Ø Handle	Coupling
	GN 000.4	GN 000.5	GN 000.4	GN 000.5		GN 000.4	GN 000.5		GN 000.4	GN 000.5					
125	K 12	-	28	29	17	28,5	42	18	5	12	67,5	54	4	23	Gr. 1
140	K 12	-	28	29	17	28,5	42	19	5	12	67,5	61	4	23	Gr. 1
140	K 14	K 16	32	33	21	32,5	48	19	6	14	67,5	61	4	23	Gr. 2
160	K 14	K 16	32	33	21	32,5	48	20	6	14	82,5	71	4	26	Gr. 2
200	K 18	K 20	38	39	26	36,5	50	24	6	13	82,5	89	4	26	Gr. 3
250	K 22	-	45	46	30	47,5	54	28	12	13	92,5	113	4	28	Gr. 4

Specification

- Handwheels see page 169 respectively standard sheets
- Coupling elements
 - Coupling attachments GN 000.4 → Page 170
 - Coupling attachments GN 000.5 → Page 171
- Keway P9 DIN 6885/2 → Page 1125
- ISO-Fundamental Tolerances → Page 1132
- RoHS compliant

Information

The use of coupling attachments in handwheels other than specified on this sheet is also possible.

see also...

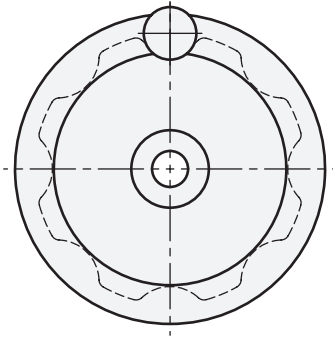
- More information to safety handwheels → Page 166 / 167
- Countersunk washers GN 184 (for axial fixing) → Page 542

* Insert the code-no. of the desired handwheels (see Page 169) (here in How to order: GN 321).

How to order GN321.4-160-K16-D-ZI	1	d ₁
	2	d ₂
	3	Type
	4	Mode

Safety handwheels

Overview of types

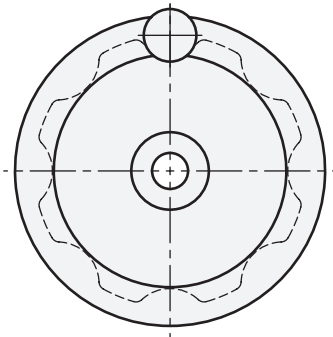


Disc handwheels GN 321 → Page 163

Aluminium
Rim polished

handles GN 598 → Page 26

Steel
plastic coated
black, textured finish

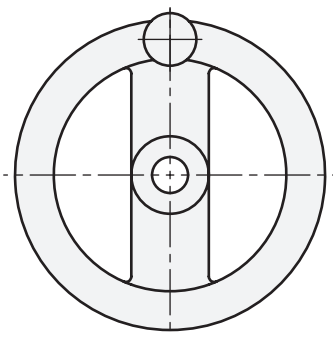


Disc handwheels GN 323 → Page 163

Aluminium
plastic coated
black, textured finish

handles GN 598 → Page 26

Steel
plastic coated
black, textured finish



Spoked handwheels GN 322 → Page 164

Aluminium
Rim polished

handles GN 598 → Page 26

Steel
plastic coated
black, textured finish

1.1

1.2

1.3

1.4

1.5

1.6

1.7

1.8

1.9

