



MATERIAL

Glass-fibre reinforced polyamide based (PA) technopolymer, black colour, matte finish.

STANDARD EXECUTION

Brass boss, threaded pass-through hole.

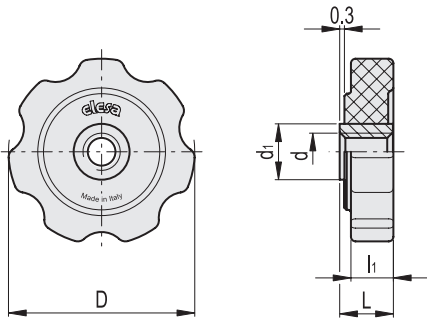
FEATURES AND APPLICATIONS

The ergonomic seven-lobe shape allows an effective grip to the operator when tightening.

Suitable for axial locking; it can be used as a nut.



ELESA Original design



Code	Description	D	d _{øH}	L	d1	l1	⚖️
168541	GFL.40-B M8	40	M8	10	12	8.5	7
168542	GFL.40-B M10	40	M10	10	13	8.5	6

Clamping knobs